

## Features

- Contactless Read/Write Data Transmission
- Radio Frequency  $f_{RF}$  from 100 kHz to 150 kHz
- e5550 Binary Compatible or T5557 Extended Mode
- Small Size, Configurable for ISO/IEC 11784/785 Compatibility
- 75 pF On-chip Resonant Capacitor (Mask Option)
- 7 x 32-bit EEPROM Data Memory Including 32-bit Password
- Separate 64-bit memory for Traceability Data
- 32-bit Configuration Register in EEPROM to Setup:
  - Data Rate
    - RF/2 to RF/128, Binary Selectable or
    - Fixed e5550 Data Rates
  - Modulation/Coding
    - FSK, PSK, Manchester, Biphase, NRZ
  - Other Options
    - Password Mode
    - Max Block Feature
    - Answer-On-Request (AOR) Mode
    - Inverse Data Output
    - Direct Access Mode
    - Sequence Terminator(s)
    - Write Protection (Through Lock-bit per Block)
    - Fast Write Method (5 kbps versus 2 kbps)
    - OTP Functionality
    - POR Delay up to 67 ms

## Description

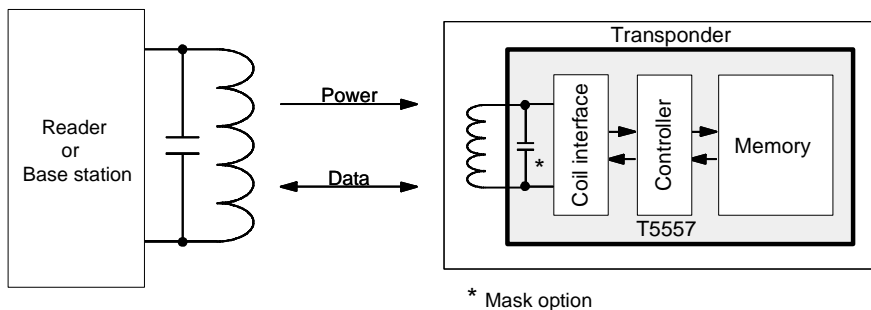
The T5557 is a contactless R/W IDentification IC (IDIC<sup>®</sup>) for applications in the 125 kHz frequency range. A single coil, connected to the chip, serves as the IC's power supply and bi-directional communication interface. The antenna and chip together form a transponder or tag.

The on-chip 330-bit EEPROM (10 blocks, 33 bits each) can be read and written block-wise from a reader. Block 0 is reserved for setting the operation modes of the T5557 tag. Block 7 may contain a password to prevent unauthorized writing.

Data is transmitted from the IDIC using load modulation. This is achieved by damping the RF field with a resistive load between the two terminals Coil 1 and Coil 2. The IC receives and decodes 100% amplitude modulated (OOK) pulse interval encoded bit streams from the base station or reader.

## System Block Diagram

Figure 1. RFID System Using T5557 Tag



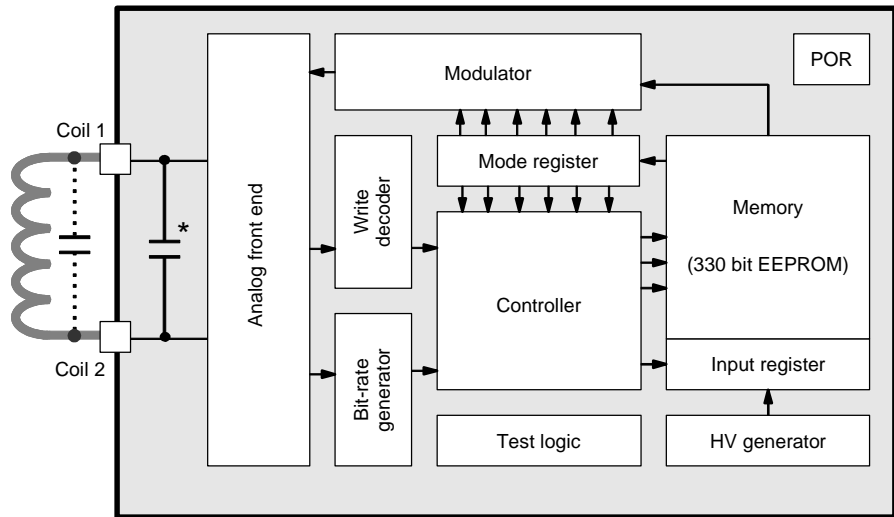
**Multifunctional  
330-bit  
Read/Write  
RF-Identification  
IC**

**T5557**



## T5557 – Building Blocks

Figure 2. Block Diagram



\* Mask option

### Analog Front End (AFE)

The AFE includes all circuits which are directly connected to the coil. It generates the IC's power supply and handles the bi-directional data communication with the reader. It consists of the following blocks:

- Rectifier to generate a DC supply voltage from the AC coil voltage
- Clock extractor
- Switchable load between Coil 1/Coil 2 for data transmission from tag to the reader
- Field gap detector for data transmission from the base station to the tag
- ESD protection circuitry

### Data-rate Generator

The data rate is binary programmable to operate at any data rate between  $RF/2$  and  $RF/128$  or equal to any of the fixed e5550/e5551 and T5554 bitrates ( $RF/8$ ,  $RF/16$ ,  $RF/32$ ,  $RF/40$ ,  $RF/50$ ,  $RF/64$ ,  $RF/100$  and  $RF/128$ ).

### Write Decoder

This function decodes the write gaps and verifies the validity of the data stream according to the Atmel e555x write method (pulse interval encoding).

### HV Generator

This on-chip charge pump circuit generates the high voltage required for programming of the EEPROM.

### DC Supply

Power is externally supplied to the IDIC via the two coil connections. The IC rectifies and regulates this RF source and uses it to generate its supply voltage.

**Power-On Reset (POR)**

This circuit delays the IDIC functionality until an acceptable voltage threshold has been reached.

**Clock Extraction**

The clock extraction circuit uses the external RF signal as its internal clock source.

**Controller**

The control-logic module executes the following functions:

- Load-mode register with configuration data from EEPROM block 0 after power-on and also during reading
- Control memory access (read, write)
- Handle write data transmission and write error modes
- The first two bits of the reader to tag data stream are the opcode, e.g., write, direct access or reset
- In password mode, the 32 bits received after the opcode are compared with the password stored in memory block 7

**Mode Register**

The mode register stores the configuration data from the EEPROM block 0. It is continually refreshed at the start of every block read and (re-)loaded after any POR event or reset command. On delivery the mode register is preprogrammed with the value '0014 8000'h which corresponds to continuous read of block 0, Manchester coded, RF/64.

**Figure 3.** Block 0 Configuration Mapping – e5550 Compatibility Mode

L	1	2	3	4	5	6	7	8	9	10	11	12	13	14	15	16	17	18	19	20	21	22	23	24	25	26	27	28	29	30	31	32
	0	1	1	0	0	0	0	0	0	0	0				0								0							0	0	
Lock Bit	<b>Safer Key</b> Note 1), 2)												<b>Data Bit Rate</b>				<b>Modulation</b>				<b>PSK-CF</b>	<b>AOR</b>	<b>MAX-BLOCK</b>			<b>PWD</b>	ST-Sequence Terminator	POR delay				
	0 Unlocked				RF/8 0 0 0								0 0 0 0 0 Direct				0 0	RF/2														
	1 Locked				RF/16 0 0 1								0 0 0 0 1 PSK1				0 1	RF/4														
					RF/32 0 1 0								0 0 0 1 0 PSK2				1 0	RF/8														
					RF/40 0 1 1								0 0 0 1 1 PSK3				1 1	Res.														
					RF/50 1 0 0								0 0 1 0 0 FSK1																			
					RF/64 1 0 1								0 0 1 0 1 FSK2																			
					RF/100 1 1 0								0 0 1 1 0 FSK1a																			
					RF/128 1 1 1								0 0 1 1 1 FSK2a																			
													0 1 0 0 0 Manchester																			
												1 0 0 0 0 Biphase('50)																				
												1 1 0 0 0 Reserved																				
1) If Master Key = 6 then test mode write commands are ignored 2) If Master Key <> 6 or 9 then extended function mode is disabled																																

## Modulator

The modulator consists of data encoders for the following basic types of modulation:

**Table 1.** Types of e5550-compatible Modulation Modes

Mode	Direct Data Output
FSK1a <sup>(1)</sup>	FSK/8-/5 '0' = rf/8; '1' = rf/5
FSK2a <sup>(1)</sup>	FSK/8-/10 '0' = rf/8; '1' = rf/10
FSK1 <sup>(1)</sup>	FSK/5-/8 '0' = rf/5; '1' = rf/8
FSK2 <sup>(1)</sup>	FSK/10-/8 '0' = rf/10; '1' = rf/8
PSK1 <sup>(2)</sup>	Phase change when input changes
PSK2 <sup>(2)</sup>	Phase change on bit clock if input high
PSK3 <sup>(2)</sup>	Phase change on rising edge of input
Manchester	'0' = falling edge, '1' = rising edge
Biphase	'1' creates an additional mid-bit change
NRZ	'1' = damping on, '0' = damping off

- Notes:
1. A common multiple of bitrate and FSK frequencies is recommended.
  2. In PSK mode the selected data rate has to be an integer multiple of the PSK sub-carrier frequency.

## Memory

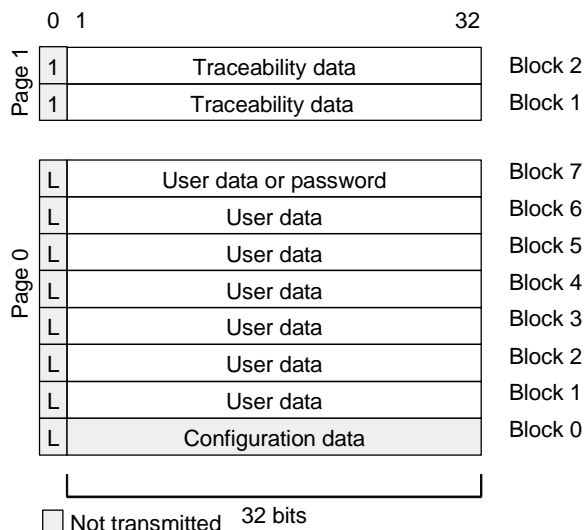
The memory is a 330-bit EEPROM, which is arranged in 10 blocks of 33 bits each. All 33 bits of a block, including the lock bit, are programmed simultaneously.

Block 0 of page 0 contains the mode/configuration data, which is not transmitted during regular-read operations. Block 7 of page 0 may be used as a write protection password.

Bit 0 of every block is the lock bit for that block. Once locked, the block (including the lock bit itself) is not re-programmable through the RF field again.

Blocks 1 and 2 of page 1 contain traceability data and are transmitted with the modulation parameters defined in the configuration register after the opcode '11' is issued by the reader (see Figure 11). These traceability data blocks are programmed and locked by Atmel.

**Figure 4.** Memory Map

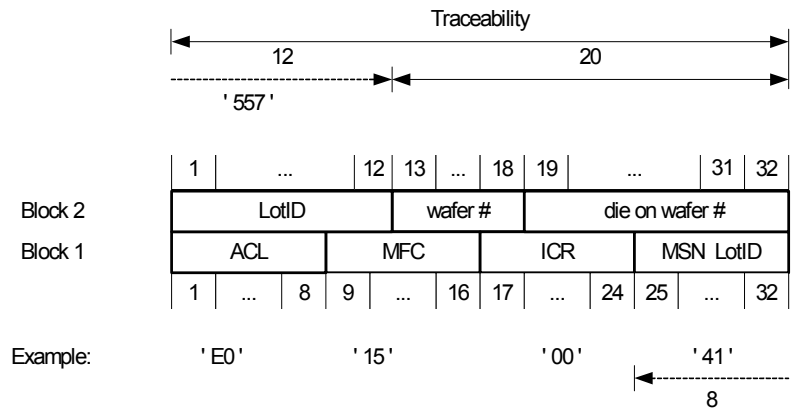


## Traceability Data Structure

Blocks 1 and 2 of page 1 contain the traceability data and are programmed and locked by Atmel during production testing. The most significant byte of block 1 is fixed to 'E0'hex, the allocation class (ACL) as defined in ISO/IEC 15963-1. The second byte is therefore defined as the manufacturer's ID of Atmel (= '15'hex). The following 8 bits are used as IC reference byte (ICR - Bits 47 to 40). The 3 most significant bits define the IC and/or foundry version of the T5557. The lower 5 bits are by default reset (=00) as the Atmel standard value. Other values may be assigned on request to high volume customers as tag issuer identification.

The lower 40 bits of the data encode the traceability information of Atmel and conform to a unique numbering system. These 40 data bits are divided in two sub-groups, a 5-digit lot ID number, the binary wafer number (5 bit) concatenated with the sequential die number per wafer.

Figure 5. T5557 Traceability Data Structure



- ACL Allocation class as defined in ISO/IEC 15963-1 = E0h
- MFC Manufacturer code of Atmel Corporation as defined in ISO/IEC 7816-6 = 15h
- ICR IC reference of silicon and/or tag manufacturer
  - Top 3 bits define IC revision
  - Lower 5 bits may contain a customer ID code on request
- MSN Manufacturer serial number consists of:
- LotID 5-digit lot number, e.g., '38765'
- DPW 20 bits encoded as sequential die per wafer number (with top 5 bits = wafer#)

## Operating the T5557

### Initialization and POR Delay

The Power-On-Reset (POR) circuit remains active until an adequate voltage threshold has been reached. This in turn triggers the default start-up delay sequence. During this configuration period of about 192 field clocks, the T5557 is initialized with the configuration data stored in EEPROM block 0. During initialization of the configuration block 0, all T55570x variants the load damping is active permanently (see Figure 10). The T55571x types (without damping option) achieve a longer read range based on the lower activation field strength.

If the POR-delay bit is reset, no additional delay is observed after the configuration period. Tag modulation in regular-read mode will be observed about 3 ms after entering the RF field. If the POR delay bit is set, the T5557 remains in a permanent damping state until 8190 internal field clocks have elapsed.

$$T_{INIT} = (192 + 8190 \times \text{POR delay}) \times T_C \approx 67 \text{ ms}; \quad T_C = 8 \mu\text{s at } 125 \text{ kHz}$$

Any field gap occurring during this initialization phase will restart the complete sequence. After this initialization time the T5557 enters regular-read mode and modulation starts automatically using the parameters defined in the configuration register.

## Tag to Reader Communication

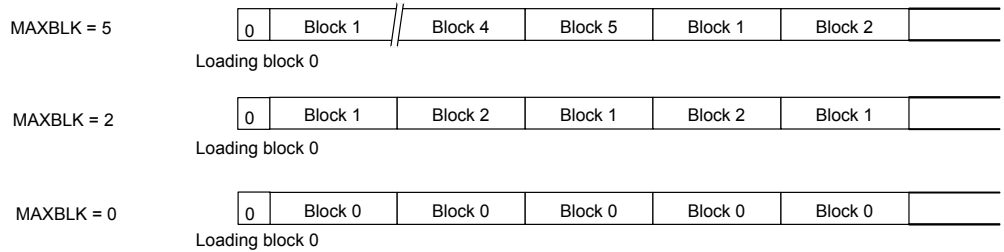
During normal operation, the data stored within the EEPROM is cycled and the Coil 1, Coil 2 terminals are load modulated. This resistive load modulation can be detected at the reader module.

## Regular-read Mode

In regular-read mode data from the memory is transmitted serially, starting with block 1, bit 1, up to the last block (e.g., 7), bit 32. The last block which will be read is defined by the mode parameter field MAXBLK in EEPROM block 0. When the data block addressed by MAXBLK has been read, data transmission restarts with block 1, bit 1.

The user may limit the cyclic datastream in regular-read mode by setting the MAXBLK between 0 and 7 (representing each of the 8 data blocks). If set to 7, blocks 1 through 7 can be read. If set to 1, only block 1 is transmitted continuously. If set to 0, the contents of the configuration block (normally not transmitted) can be read. In the case of MAXBLK = 0 or 1, regular-read mode can not be distinguished from block-read mode.

**Figure 6.** Examples for Different MAXBLK Settings



Every time the T5557 enters regular- or block-read mode, the first bit transmitted is a logical '0'. The data stream starts with block 1, bit 1, continues through MAXBLK, bit 32, and cycles continuously if in regular-read mode.

Note: This behavior is different from the original e555x and helps to decode PSK-modulated data.

## Block-read Mode

With the direct access command, the addressed block is repetitively read only. This mode is called block-read mode. Direct access is entered by transmitting the page access opcode ('10' or '11'), a single '0' bit and the requested 3-bit block address when the tag is in normal mode.

In password mode (PWD bit set), the direct access to a single block needs the valid 32-bit password to be transmitted after the page access opcode whereas a '0' bit and the 3-bit block address follow afterwards. In case the transmitted password does not match with the contents of block 7, the T5557 tag returns to the regular-read mode.

Note: A direct access to block 0 of page 1 will read the configuration data of block 0, page 0. A direct access to block 3 .. 7 of page 1 reads all data bits as zero.

## e5550 Sequence Terminator

The sequence terminator ST is a special damping pattern which is inserted before the first block and may be used to synchronize the reader. This e5550-compatible sequence terminator consists of 4 bit periods with underlying data values of '1'. During the second and the fourth bit period, modulation is switched off (Manchester encoding – switched on). Biphase modulated data blocks need fixed leading and trailing bits in combination with the sequence terminator to be identified reliable.

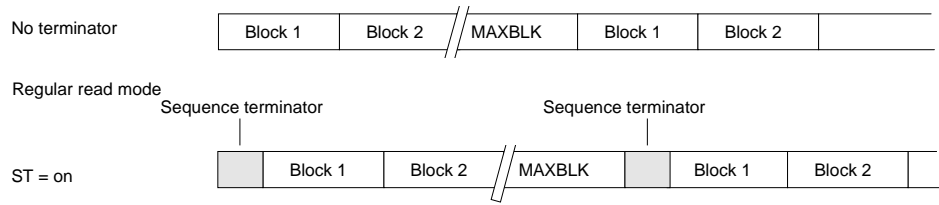
The sequence terminator may be individually enabled by setting of mode bit 29 (ST = '1') in the e5550-compatibility mode (X-mode = '0').

In the regular-read mode, the sequence terminator is inserted at the start of each MAXBLK-limited read data stream.

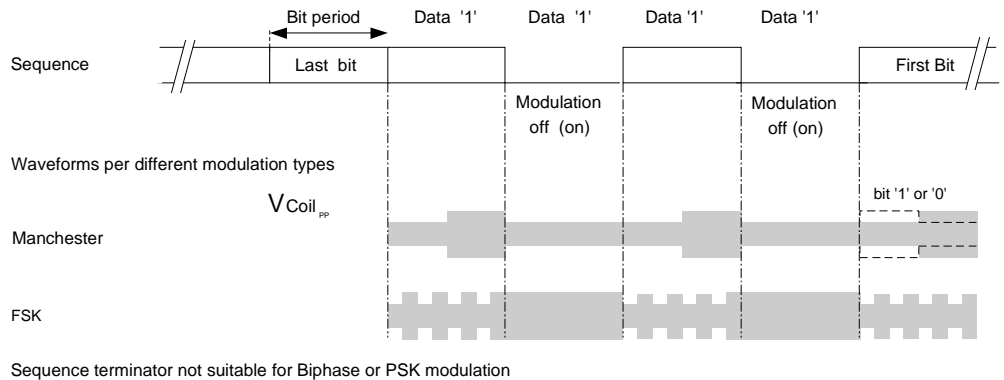
In block-read mode – after any block-write or direct access command – or if MAXBLK was set to 0 or 1, the sequence terminator is inserted before the transmission of the selected block.

Especially this behavior is different to former e5550 – compatible ICs (T5551, T5554).

**Figure 7.** Read Data Stream with Sequence Terminator



**Figure 8.** e5550-compatible Sequence Terminator Waveforms



## Reader to Tag Communication

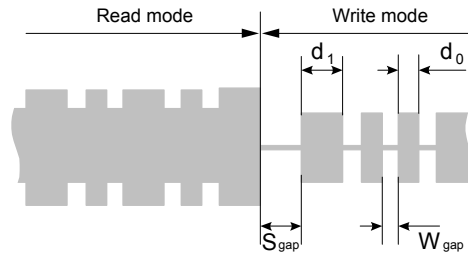
Data is written to the tag by interrupting the RF field with short field gaps (on-off keying) in accordance with the e5550 write method. The time between two gaps encodes the '0/1' information to be transmitted (pulse interval encoding). The duration of the gaps is usually 50 μs to 150 μs. The time between two gaps is nominally 24 field clocks for a '0' and 54 field clocks for a '1'. When there is no gap for more than 64 field clocks after a previous gap, the T5557 exits the write mode. The tag starts with the command execution if the correct number of bits were received. If there is a failure detected the T5557 does not continue and will enter regular-read mode.

## Start Gap

The initial gap is referred to as the start gap. This triggers the reader to tag communication. During this mode of operation, the receive damping is permanently enabled to ease gap detection. The start gap may need to be longer than subsequent gaps in order to be detected reliably.

A start gap will be accepted at any time after the mode register has been loaded ( $\geq 3$  ms). A single gap will not change the previously selected page (by former opcode '10' or '11').

**Figure 9.** Start of Reader to Tag Communication



**Table 2.** Write Data Decoding Scheme

Parameters	Remark	Symbol	Min.	Max.	Unit
Start gap		$S_{gap}$	10	50	FC
Write gap	Normal write mode	$W_{gap}$	8	30	FC
Write data in normal mode	'0' data	$d_0$	16	31	FC
	'1' data	$d_1$	48	63	FC

## Write Data Protocol

The T5557 expects to receive a dual bit opcode as the first two bits of a reader command sequence. There are three valid opcodes:

- The opcodes '10' and '11' precede all block write and direct access operations for page 0 and page 1
- The RESET opcode '00' initiates a POR cycle
- The opcode '01' precedes all test mode write operations. Any test mode access is ignored after master key (bits 1..4) in block 0 has been set to '6'. Any further modifications of the master key are prohibited by setting the lock bit of block 0 or the OTP bit.

Writing has to follow these rules:

- Standard write needs the opcode, the lock bit, 32 data bits and the 3-bit address (38 bits total)
- Protected write (PWD bit set) requires a valid 32-bit password between opcode and data, address bits
- For the AOR wake-up command an opcode and a valid password are necessary to select and activate a specific tag

Note: The data bits are read in the same order as written.

If the transmitted command sequence is invalid, the T5557 enters regular-read mode with the previously selected page (by former opcode '10' or '11').

Figure 10. Complete Writing Sequence

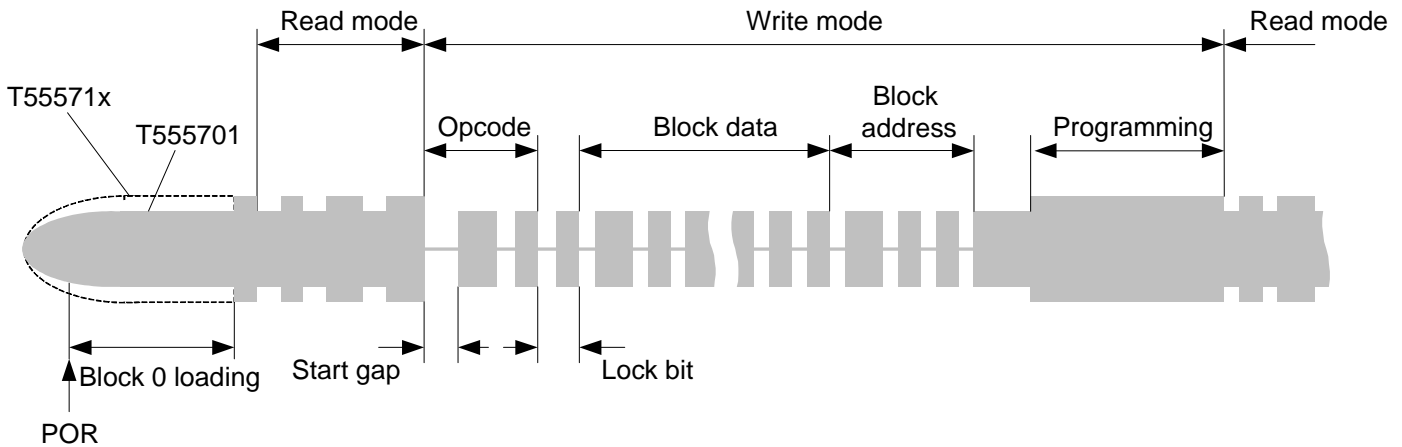


Figure 11. T5557 Command Formats

	Opcode										
Standard write	1p *	L	1	Data	32	2	Addr	0			
Protected write	1p *	1	Password	32	L	1	Data	32	2	Addr 0	
AOR (wake-up command)	10	1	Password	32							
Direct access (PWD = 1)	1p *	1	Password	32	0	2	Addr	0			
Direct access (PWD = 0)	1p *	0	2	Addr	0						
Page 0/1 regular read	1p *										
Reset command	00										

\* p = page selector

### Password

When password mode is active (PWD = 1), the first 32 bits after the opcode are regarded as the password. They are compared bit by bit with the contents of block 7, starting at bit 1. If the comparison fails, the T5557 will not program the memory, instead it will restart in regular-read mode once the command transmission is finished.

Note: In password mode, MAXBLK should be set to a value below 7 to prevent the password from being transmitted by the T5557.

Each transmission of the direct access command (two opcode bits, 32 bits password, '0' bit plus 3 address bits = 38 bits) needs about 18 ms. Testing all possible combinations (about 4.3 billion) takes about two years.

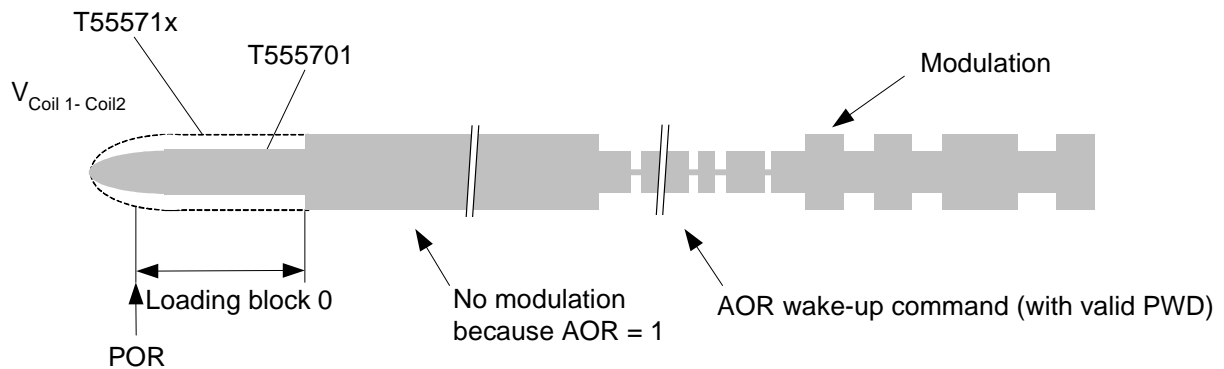
### Answer-On-Request (AOR) Mode

When the AOR bit is set, the T5557 does not start modulation in the regular-read mode after loading configuration block 0. The tag waits for a valid AOR data stream ("wake-up command") from the reader before modulation is enabled. The wake-up command consists of the opcode ('10') followed by a valid password. The selected tag will remain active until the RF field is turned off or a new command with a different password is transmitted which may address another tag in the RF field.

**Table 3.** T5557 — Modes of Operation

PWD	AOR	Behavior of Tag after Reset Command or POR	De-activate Function
1	1	Answer-On-Request (AOR) mode: <ul style="list-style-type: none"> <li>• Modulation starts after wake-up with a matching password</li> <li>• Programming needs valid password</li> </ul>	Command with non-matching password deactivates the selected tag
1	0	Password mode: <ul style="list-style-type: none"> <li>• Modulation in regular-read mode starts after reset</li> <li>• Programming and direct access needs valid password</li> </ul>	
0	--	Normal mode: <ul style="list-style-type: none"> <li>• Modulation in regular-read mode starts after reset</li> <li>• Programming and direct access without password</li> </ul>	

**Figure 12.** Answer-On-Request (AOR) Mode



**Figure 13.** Coil Voltage after Programming of a Memory Block

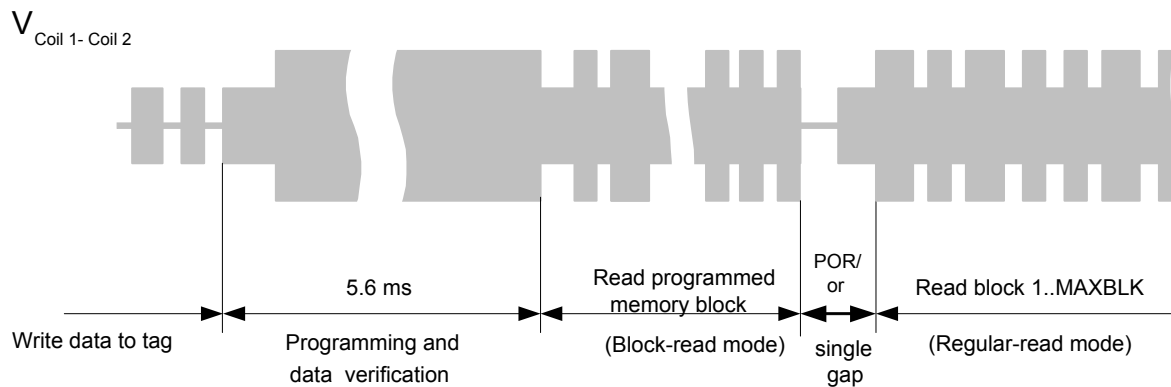
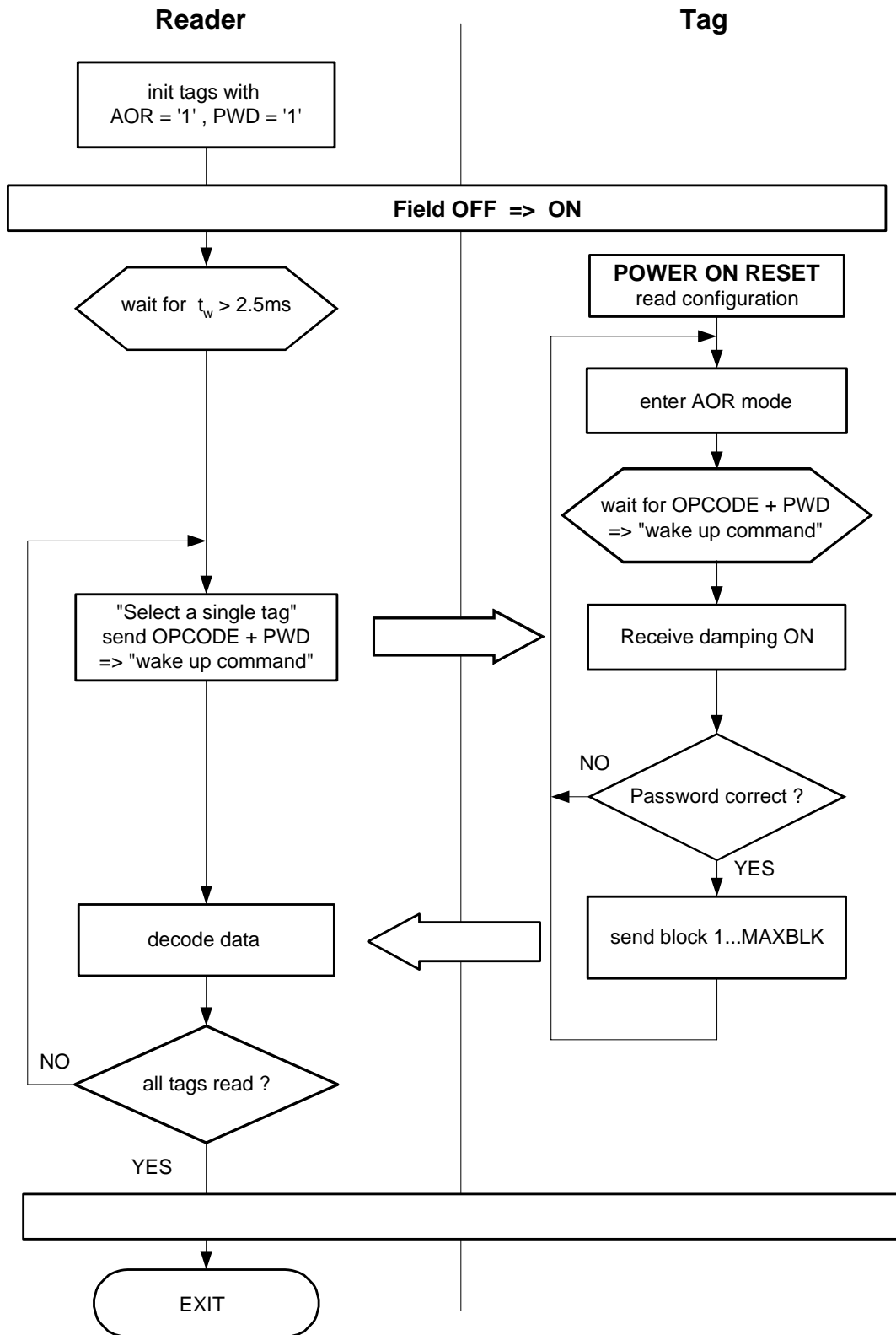


Figure 14. Anticollision Procedure Using AOR Mode



## Programming

When all necessary information has been received by the T5557, programming may proceed. There is a clock delay between the end of the writing sequence and the start of programming.

Typical programming time is 5.6 ms. This cycle includes a data verification read to grant secure and correct programming. After programming was executed successfully, the T5557 enters block-read mode transmitting the block just programmed (see Figure 13).

Note: This timing and behavior is different from the e555x-family predecessors.

## Error Handling

Several error conditions can be detected to ensure that only valid bits are programmed into the EEPROM. There are two error types, which lead to two different actions.

### Errors During Writing

The following detectable errors could occur during writing data into the T5557:

- Wrong number of field clocks between two gaps (i.e., not a valid '1' or '0' pulse stream)
- Password mode is activated and the password does not match the contents of block 7
- The number of bits received in the command sequence is incorrect

Valid bit counts accepted by the T5557 are:

Password write	70 bits	(PWD = 1)
Standard write	38 bits	(PWD = 0)
AOR wake up	34 bits	(PWD = 1)
Direct access with PWD	38 bits	(PWD = 1)
Direct access	6 bits	(PWD = 0)
Reset command	2 bits	
Page 0/1 regular-read	2 bits	

If any of these erroneous conditions were detected, the T5557 enters regular-read mode, starting with block 1 of the page defined in the command sequence.

### Errors Before/During Programming

If the command sequence was received successfully, the following error could still prevent programming:

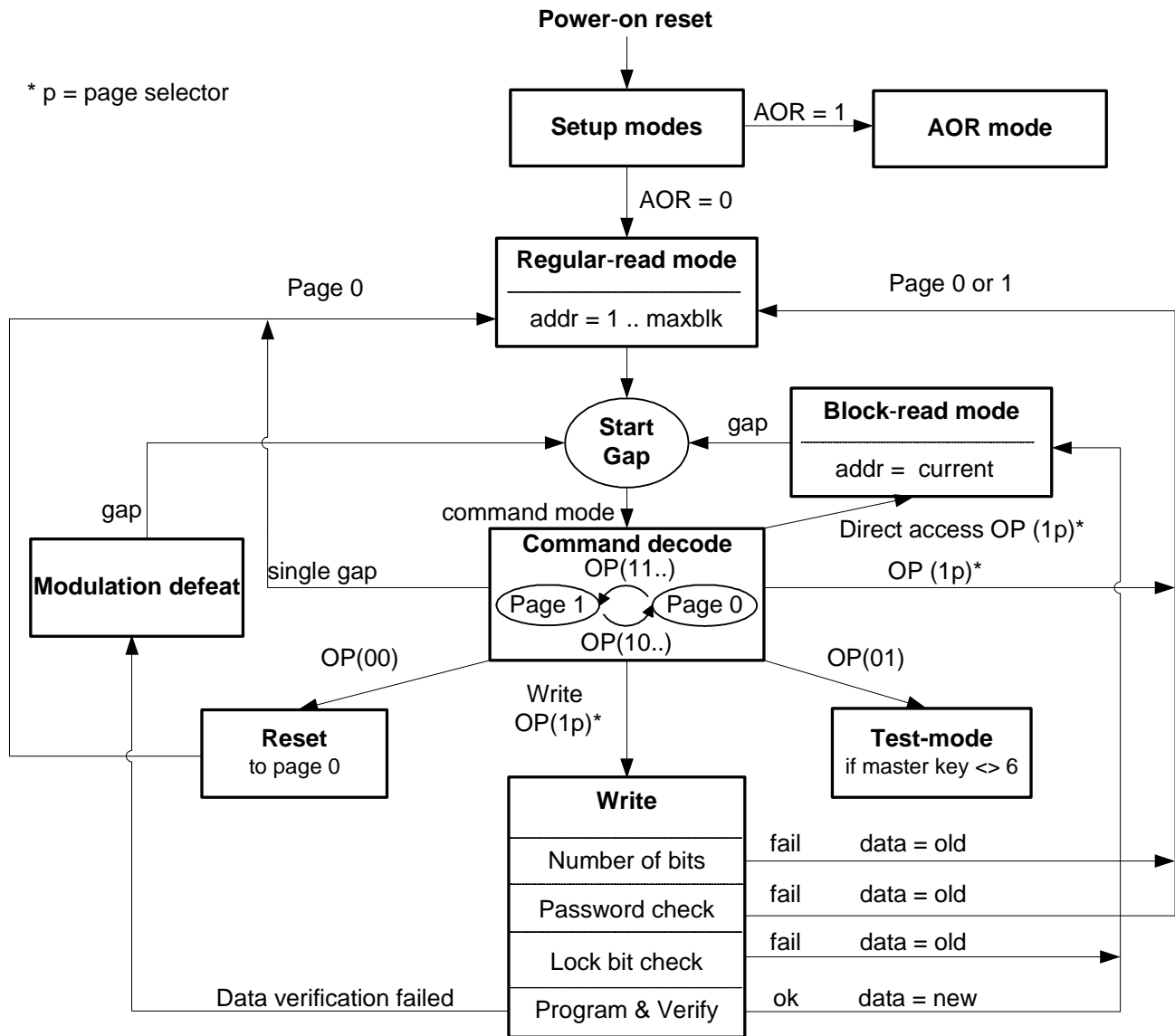
- The lock bit of the addressed block is set already
- In case of a locked block, programming mode will not be entered. The T5557 reverts to block-read mode continuously transmitting the currently addressed block.

If the command sequence is validated and the addressed block is not write protected, the new data will be programmed into the EEPROM memory. The new state of the block write protection bit (lock bit) will be programmed at the same time accordingly.

Each programming cycle consists of 4 consecutive steps: erase block, erase verification (data = '0'), programming, write verification (corresponding data bits = '1').

- If a data verification error is detected after an executed data block programming, the tag will stop modulation (modulation defeat) until a new command is transmitted.

Figure 15. T5557 Functional Diagram



### T5557 in Extended Mode (X-mode)

In general, the block 0 setting of the master key (bits 1 to 4) to the value '6' or '9' together with the X-mode bit will enable the extended mode functions.

- Master key = '9': Test mode access and extended mode are both enabled.
- Master key = '6': Any test mode access will be denied but the extended mode is still enabled.

Any other master key setting will prevent the activation of the T5557 extended mode options, even when the X-mode bit is set.

### Binary Bit-rate Generator

In extended mode the data rate is binary programmable to operate at any data rate between RF/2 and RF/128 as given in the formula below.

$$\text{Data rate} = \text{RF}/(2n+2)$$

## OTP Functionality

If the OTP bit is set to '1', all memory blocks are write protected and behave as if all lock bits are set to 1. If the master key is set to '6' additionally, the T5557 mode of operation is locked forever (= OTP functionality).

If the master key is set to '9', the test-mode access allows the re-configuration of the tag again.

**Figure 16.** Block 0 — Configuration Map in Extended Mode (X-mode)

L	1	2	3	4	5	6	7	8	9	10	11	12	13	14	15	16	17	18	19	20	21	22	23	24	25	26	27	28	29	30	31	32								
	1	0	0	1	0	0	0	0							1																									
Lock Bit	<b>Master Key</b> Note 1), 2)								<b>Data Bit Rate</b> RF/(2n+2)				<b>X-Mode</b>	<b>Modulation</b>				<b>PSK-CF</b>		<b>AOR</b>	<b>OTP</b>	<b>MAX-BLOCK</b>		<b>PWD</b>	<b>SST-Sequence Start Marker</b>	<b>Fast write</b>	<b>Inverse Data</b>	<b>POR-Delay</b>												
	0	Unlocked								Direct	0	0		0	0	0	0	0	0	0	0	0	0	0					0	0	0	0	0	0	0	0	0			
	1	Locked								PSK1	0	0		0	0	0	1	1	0	RF/4	RF/8																			
										PSK2	0	0		0	1	0				RF/2	Res.																			
										PSK3	0	0		0	1	1																								
										FSK1	0	0		1	0	0																								
										FSK2	0	0		1	0	1																								
										Manchester	0	1		0	0	0																								
										Biphase ('50)	1	0		0	0	0																								
										Biphase ('57)	1	1		0	0	0																								

1) If Master Key = 6 and bit 15 set, then test-mode access is disabled and extended mode is active  
 2) If Master Key = 9 and bit 15 set, then extended mode is enabled

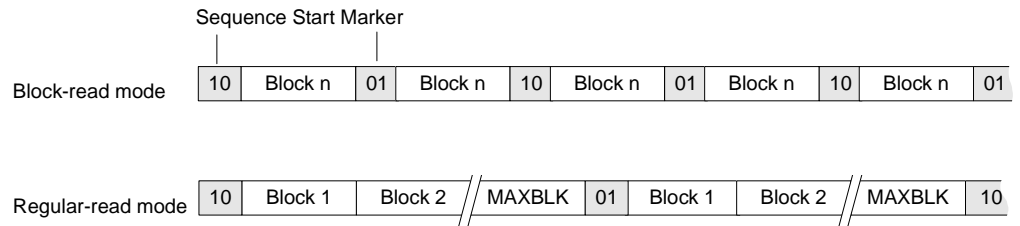
**Table 4.** T5557 Types of Modulation in Extended Mode

Mode	Direct Data Output Encoding	Inverse Data Output Encoding
FSK1 <sup>(1)</sup>	FSK/5-/8 '0' = RF/5; '1' = RF/8	FSK/8-/5 '0' = RF/8; '1' = RF/5 (= FSK1a)
FSK2 <sup>(1)</sup>	FSK/10-/8 '0' = RF/10; '1' = RF/8	FSK/8-/10 '0' = RF/8; '1' = RF/10 (= FSK2a)
PSK1 <sup>(2)</sup>	Phase change when input changes	Phase change when input changes
PSK2 <sup>(2)</sup>	Phase change on bit clock if input high	Phase change on bit clock if input low
PSK3 <sup>(2)</sup>	Phase change on rising edge of input	Phase change on falling edge of input
Manchester	'0' = falling edge, '1' = rising edge on mid-bit	'1' = falling edge, '1' = rising edge on mid-bit
Biphase 1 ('50)	'1' creates an additional mid-bit change	'0' creates an additional mid-bit change
Biphase 2 ('57)	'0' creates an additional mid-bit change	'1' creates an additional mid-bit change
NRZ	'1' = damping on, '0' = damping off	'0' = damping on, '1' = damping off

Notes: 1. A common multiple of bitrate and FSK frequencies is recommended.  
 2. In PSK mode the selected data rate has to be an integer multiple of the PSK sub-carrier frequency.

Sequence Start Marker

Figure 17. T5557 Sequence Start Marker in Extended Mode

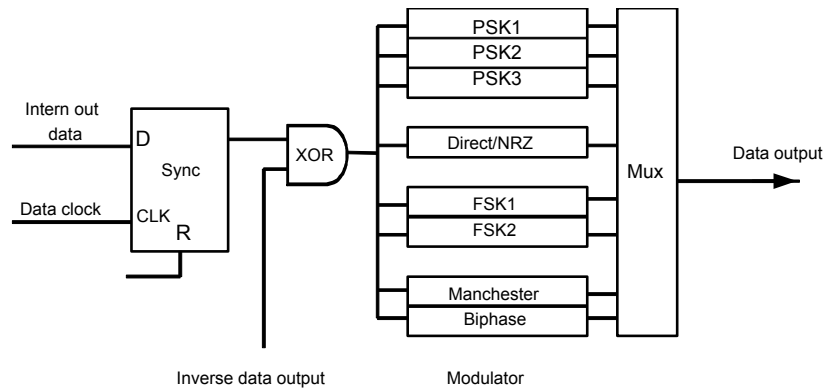


The T5557 sequence start marker is a special damping pattern, which may be used to synchronize the reader. The sequence start marker consists of two bits ('01' or '10') which are inserted as header before the first block to be transmitted if the bit 29 in extended mode is set. At the start of a new block sequence, the value of the two bits is inverted.

Inverse Data Output

The T5557 supports in its extended mode (X-mode) an inverse data output option. If inverse data is enabled, the modulator as shown in figure 18 works on inverted data (see Table 4). This function is supported for all basic types of encoding.

Figure 18. Data Encoder for Inverse Data Output



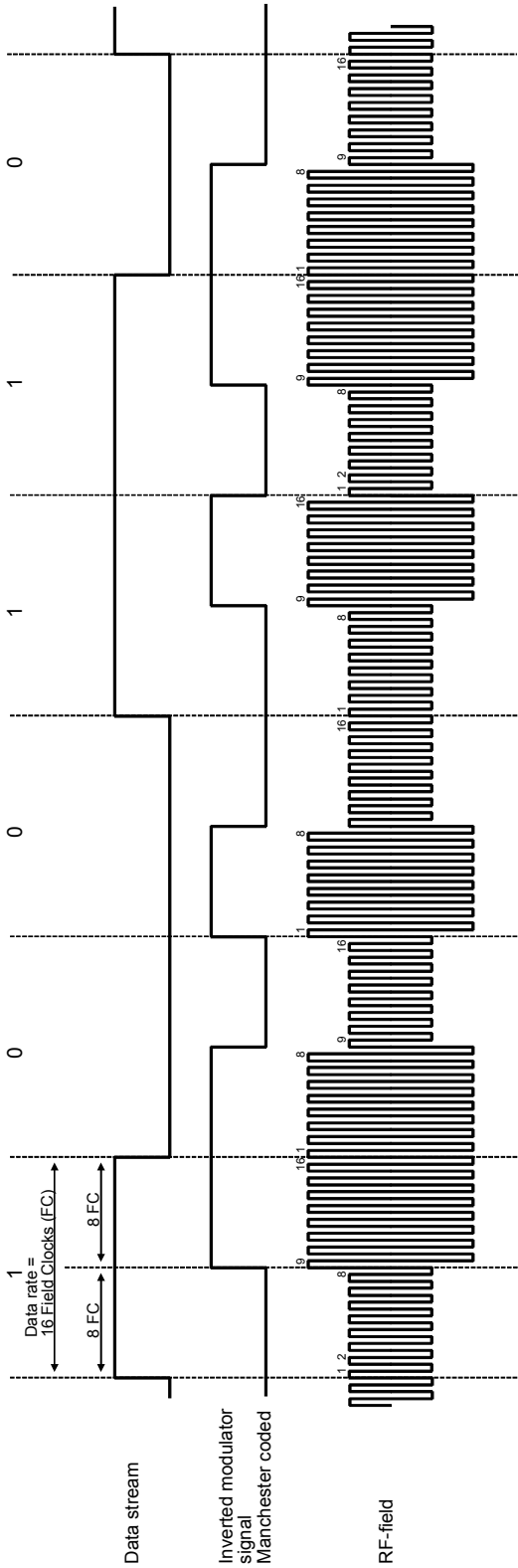
Fast Write

In the optional fast write mode the time between two gaps is nominally 12 field clocks for a '0' and 27 field clocks for a '1'. When there is no gap for more than 32 field clocks after a previous gap, the T5557 will exit the write mode. Please refer to Table 5 and Figure 8.

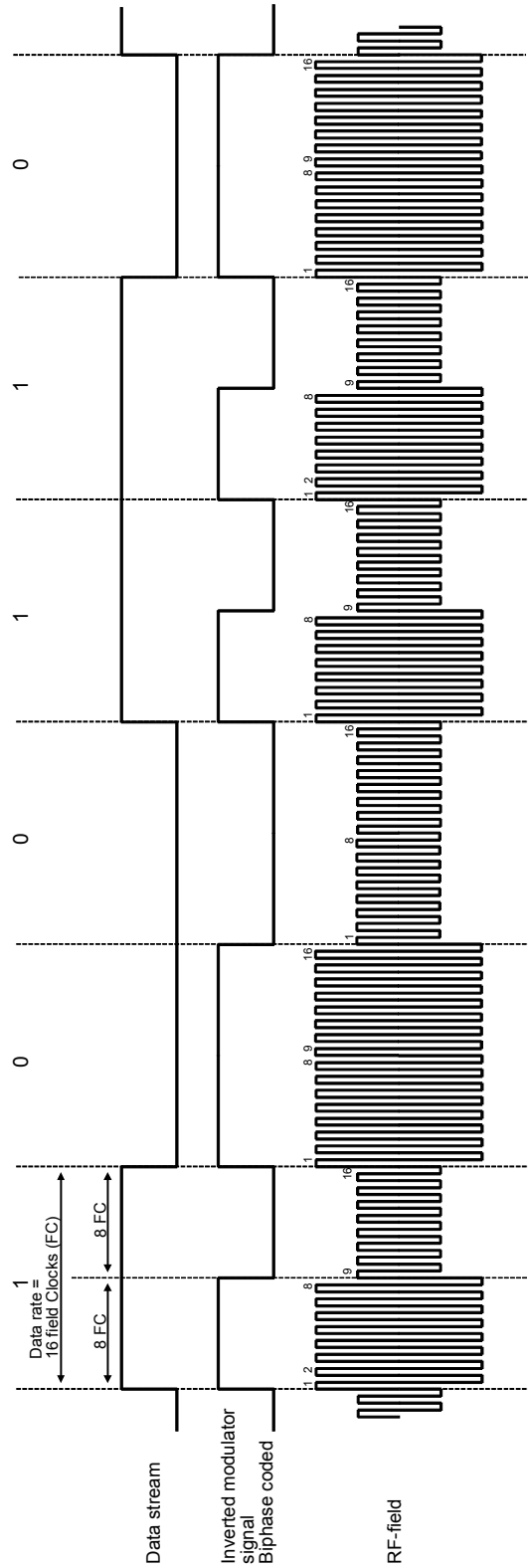
Table 5. Fast Write Data Decoding Schemes

Parameters	Remark	Symbol	Min.	Max.	Unit
Start gap	-	$S_{gap}$	10	50	FC
Write gap	Normal write mode	$Wn_{gap}$	8	30	FC
	Fast write mode	$Wf_{gap}$	8	20	FC
Write data in normal mode	'0' data	$d_0$	16	31	FC
	'1' data	$d_1$	48	63	FC
Write data in fast mode	'0' data	$d_0$	8	15	FC
	'1' data	$d_1$	24	31	FC

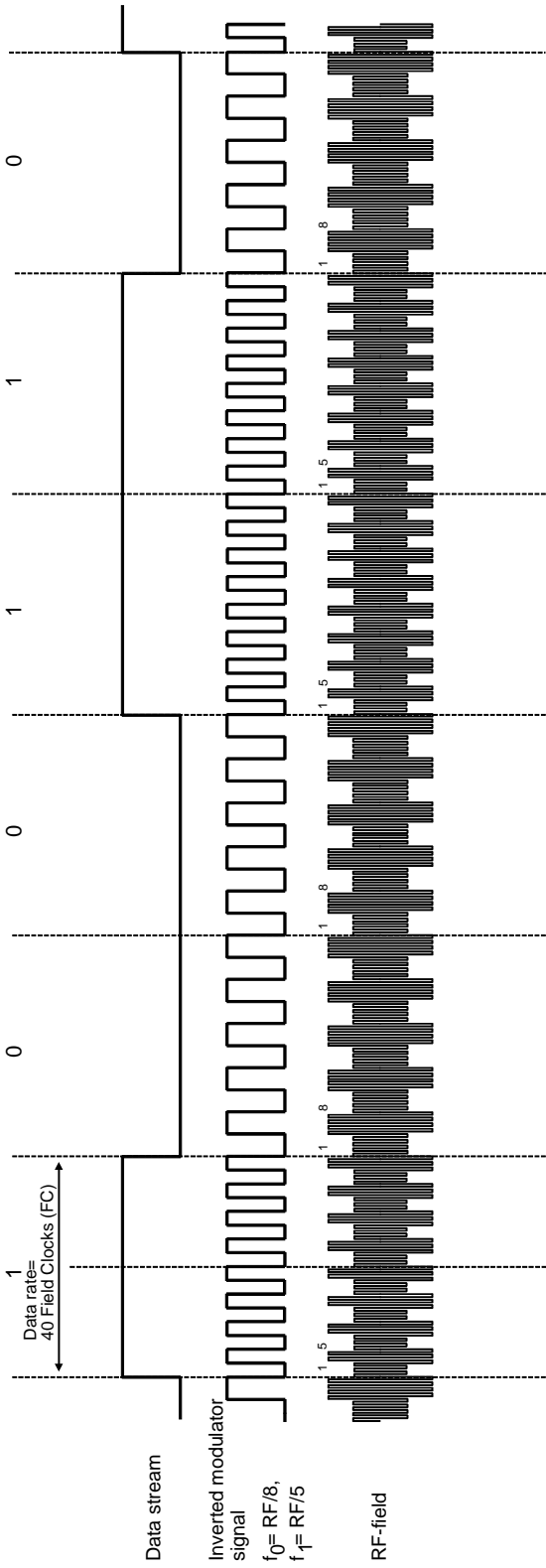
**Figure 19.** Example of Manchester Coding with Data Rate RF/16



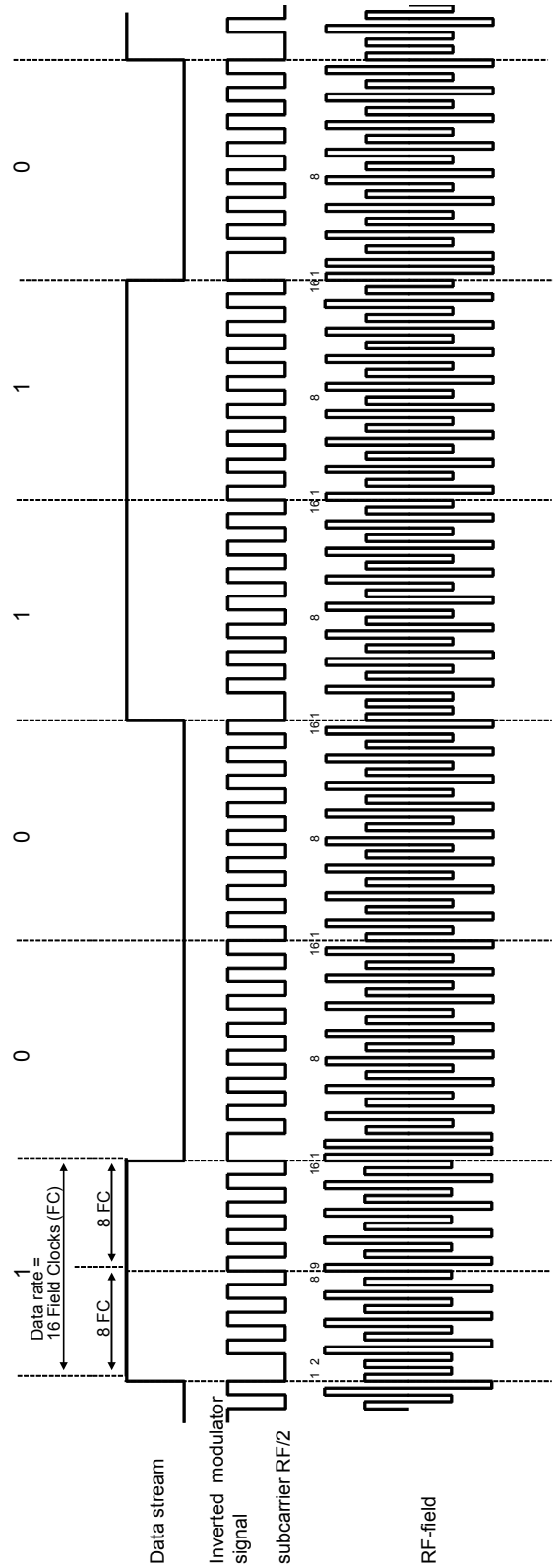
**Figure 20.** Example of Biphas Coding with Data Rate RF/16



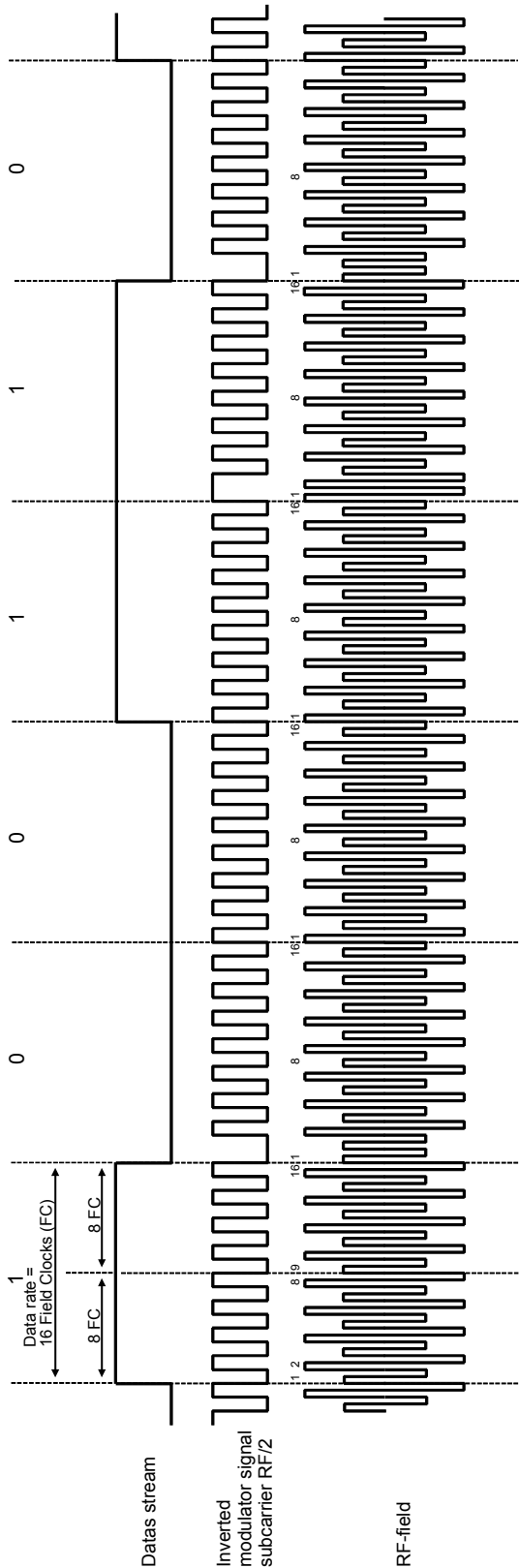
**Figure 21.** Example: FSK1a Coding with Data Rate  $RF/40$ , Subcarrier  $f_0 = RF/8$ ,  $f_1 = RF/5$



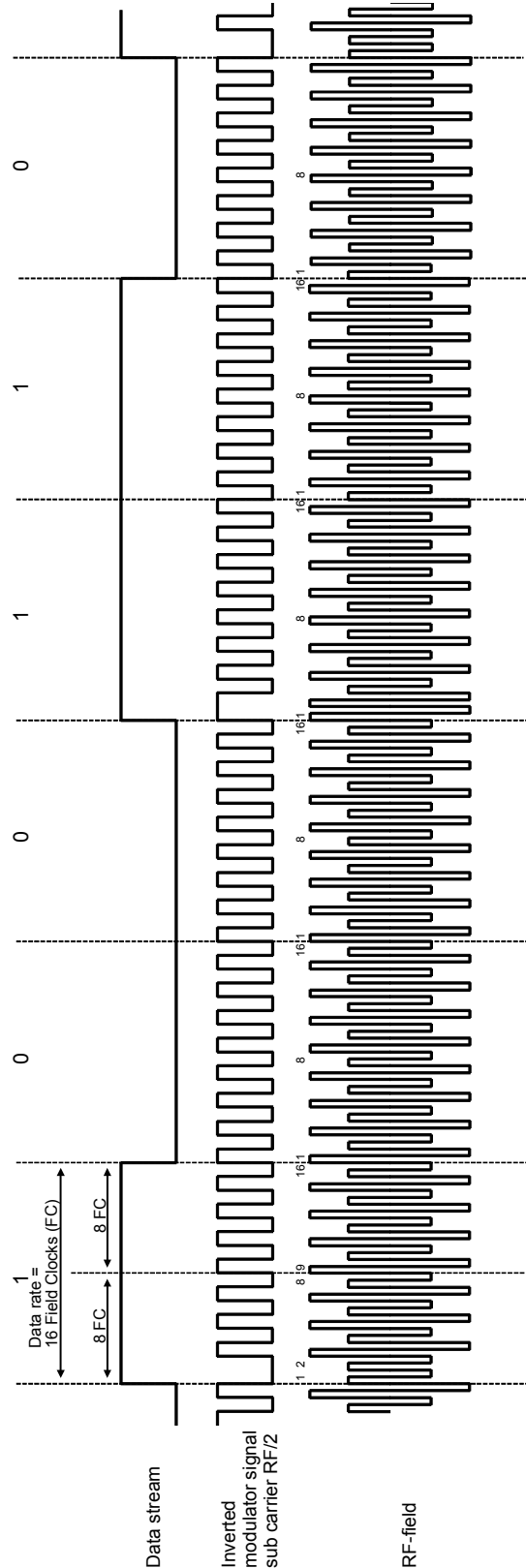
**Figure 22.** Example of PSK1 Coding with Data Rate  $RF/16$



**Figure 23.** Example of PSK2 Coding with Data Rate RF/16



**Figure 24.** Example of PSK3 Coding with Data Rate RF/16



## Absolute Maximum Ratings

Parameters	Symbol	Value	Unit
Maximum DC current into Coil 1/Coil 2	$I_{\text{coil}}$	20	mA
Maximum AC current into Coil 1/Coil 2 $f = 125 \text{ kHz}$	$I_{\text{coil p}}$	20	mA
Power dissipation (dice) (free-air condition, time of application: 1 s)	$P_{\text{tot}}$	100	mW
Electrostatic discharge maximum to MIL-Standard 883 C method 3015	$V_{\text{max}}$	4000	V
Operating ambient temperature range	$T_{\text{amb}}$	-40 to +85	°C
Storage temperature range (data retention reduced)	$T_{\text{stg}}$	-40 to +150	°C

## Electrical Characteristics

$T_{\text{amb}} = +25^{\circ}\text{C}$ ;  $f_{\text{coil}} = 125 \text{ kHz}$ ; unless otherwise specified

No.	Parameters	Test Conditions	Symbol	Min.	Typ.	Max.	Unit	Type*
1	RF frequency range		$f_{\text{RF}}$	100	125	150	kHz	
2.1	Supply current (without current consumed by the external LC tank circuit)	$T_{\text{amb}} = 25^{\circ}\text{C}$ <sup>(1)</sup> (see Figure 24)	$I_{\text{DD}}$		1.5	3	$\mu\text{A}$	T
2.2		Read – full temperature range			2	4	$\mu\text{A}$	Q
2.3		Programming full temperature range			25	40	$\mu\text{A}$	Q
3.1	Coil voltage (AC supply)	POR threshold (50 mV hysteresis)	$V_{\text{coil pp}}$	3.2	3.6	4.0	V	Q
3.2		Read mode and write command <sup>(2)</sup>		6		$V_{\text{clamp}}$	V	Q
3.3		Program EEPROM <sup>(2)</sup>		8		$V_{\text{clamp}}$	V	Q
4	Start-up time	$V_{\text{coil pp}} = 6 \text{ V}$	$t_{\text{startup}}$		2.5	3	ms	Q
5	Clamp voltage	10 mA current into Coil 1/2	$V_{\text{clamp}}$	17		23	V	T
6.1	Modulation parameters	$V_{\text{coil pp}} = 6 \text{ V}$ on test circuit generator and modulation ON <sup>(3)</sup>	$V_{\text{mod pp}}$		4.2	4.8	V	T
6.2			$I_{\text{mod pp}}$	400	600		$\mu\text{A}$	T
6.3			Thermal stability	$V_{\text{mod}}/T_{\text{amb}}$		-6		mV/°C

\*) Type means: T: directly or indirectly tested during production; Q: guaranteed based on initial product qualification data

- Notes:
- $I_{\text{DD}}$  measurement setup  $R = 100 \text{ k}$ ;  $V_{\text{CLK}} = V_{\text{coil}} = 5 \text{ V}$ ; EEPROM programmed to 00 ... 000 (erase all); chip in modulation defeat.  $I_{\text{DD}} = (V_{\text{OUTmax}} - V_{\text{CLK}})/R$
  - Current into Coil 1/Coil 2 is limited to 10 mA. The damping circuitry has the same structure as the e5550. The damping characteristics are defined by the internally limited supply voltage (= minimum AC coil voltage)
  - $V_{\text{mod}}$  measurement setup:  $R = 2.3 \text{ k}$ ;  $V_{\text{CLK}} = 3 \text{ V}$ ; setup with modulation enabled (see Figure 25).
  - Since EEPROM performance is influenced by assembly processes, Atmel confirms the parameters for DOW (tested dice on uncutted wafer) delivery.
  - The tolerance of the on-chip resonance capacitor  $C_r$  is  $\pm 10\%$  at  $3\sigma$  over whole production. The capacitor tolerance is  $\pm 3\%$  at  $3\sigma$  on a wafer basis.
  - The tolerance of the microodule resonance capacitor  $C_r$  is  $\pm 5\%$  at  $3\sigma$  over whole production.



## Electrical Characteristics

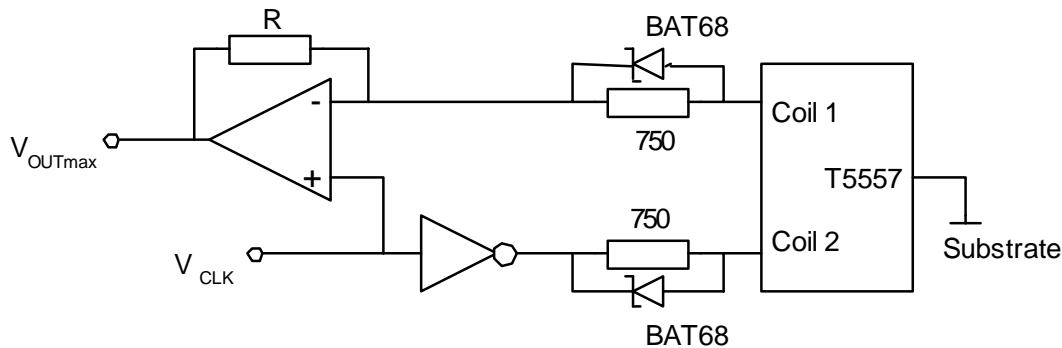
$T_{amb} = +25^{\circ}\text{C}$ ;  $f_{coil} = 125 \text{ kHz}$ ; unless otherwise specified

No.	Parameters	Test Conditions	Symbol	Min.	Typ.	Max.	Unit	Type*
7	Programming time	From last command gap to re-enter read mode (64 + 648 internal clocks)	$T_{prog}$	5	5.7	6	ms	T
8	Endurance	Erase all / Write all <sup>(4)</sup>	$n_{cycle}$	100000			Cycles	Q
9.1	Data retention	$T_{op} = 55^{\circ}\text{C}$ <sup>(4)</sup>	$t_{retention}$	10	20	50	Years	
9.2		$T_{op} = 150^{\circ}\text{C}$ <sup>(4)</sup>	$t_{retention}$	96			hrs	T
9.3		$T_{op} = 250^{\circ}\text{C}$ <sup>(4)</sup>	$t_{retention}$	24			hrs	Q
10	Resonance capacitor	Mask option <sup>(5)</sup>	$C_r$	70	78	86	pF	T
11.1	Microodule capacitor parameters	Capacitance tolerance $T_{amb}$	$C_r$	313.5	330	346.5	pF	T
11.2		Temperature coefficient	TBD	TBD	TBD	TBD	TBD	TBD
11.3			TBD	TBD	TBD	TBD	TBD	TBD

\*) Type means: T: directly or indirectly tested during production; Q: guaranteed based on initial product qualification data

- Notes:
- $I_{DD}$  measurement setup  $R = 100 \text{ k}$ ;  $V_{CLK} = V_{coil} = 5 \text{ V}$ ; EEPROM programmed to 00 ... 000 (erase all); chip in modulation defeat.  $I_{DD} = (V_{OUTmax} - V_{CLK})/R$
  - Current into Coil 1/Coil 2 is limited to 10 mA. The damping circuitry has the same structure as the e5550. The damping characteristics are defined by the internally limited supply voltage (= minimum AC coil voltage)
  - $V_{mod}$  measurement setup:  $R = 2.3 \text{ k}$ ;  $V_{CLK} = 3 \text{ V}$ ; setup with modulation enabled (see Figure 25).
  - Since EEPROM performance is influenced by assembly processes, Atmel confirms the parameters for DOW (tested dice on uncutted wafer) delivery.
  - The tolerance of the on-chip resonance capacitor  $C_r$  is  $\pm 10\%$  at  $3\sigma$  over whole production. The capacitor tolerance is  $\pm 3\%$  at  $3\sigma$  on a wafer basis.
  - The tolerance of the microodule resonance capacitor  $C_r$  is  $\pm 5\%$  at  $3\sigma$  over whole production.

**Figure 25.** Measurement Setup for  $I_{DD}$  and  $V_{mod}$



Ordering Information <sup>(2)</sup>

T 5 5 5 7	a	b	M	c	c	-	x	x	x	Package	Drawing
										- DDW - Dice on wafer, 6" un-sawn wafer, thickness 300 µm	
										- DDT - Dice in Tray (waffle pack), thickness 300 µm	
										- DBW - Dice on solder bumped wafer, thickness 390 µm Sn63Pb37 on 5 µm Ni/Au, height 70 µm	see Figure 27 see Figure 28
										- TAS - SO8 Package	see Figure 31
										- PAE - MOA2 Micro-Module	see Figure 29
										- PP - Plastic Transponder	see Figure 33
										<b>Customer ID <sup>(1)</sup></b>	
										- Atmel standard (corresponds to "00")	
									M01	- Customer 'X' unique ID code <sup>(1)</sup>	
									11	- 2 Pads without on-chip C	see Figure 26
									13	- 4 Pads without on-chip C	see Figure 27
									14	- 4 Pads with on-chip 75 pF	see Figure 27
									15	- Micro - Module with 330 pF	see Figure 29
									01	- 2 Pads without C; Damping during initialisation	see Figure 26

- Notes: 1. Unique customer ID code programming according to Figure 5 is linked to a minimum order quantity of 1 Mio parts per year.  
 2. For available order codes refer to Atmel Sales/Marketing.

Ordering Examples  
(Recommended)

T555711-DDW      Tested dice on unsawn 6" wafer, thickness 300 µm, no on-chip capacitor, no damping during POR initialisation; especially for ISO 11784/785 and access control applications

## Package Information

Figure 26. 2 Pad Layout for Wire Bonding

Dimensions in  $\mu\text{m}$

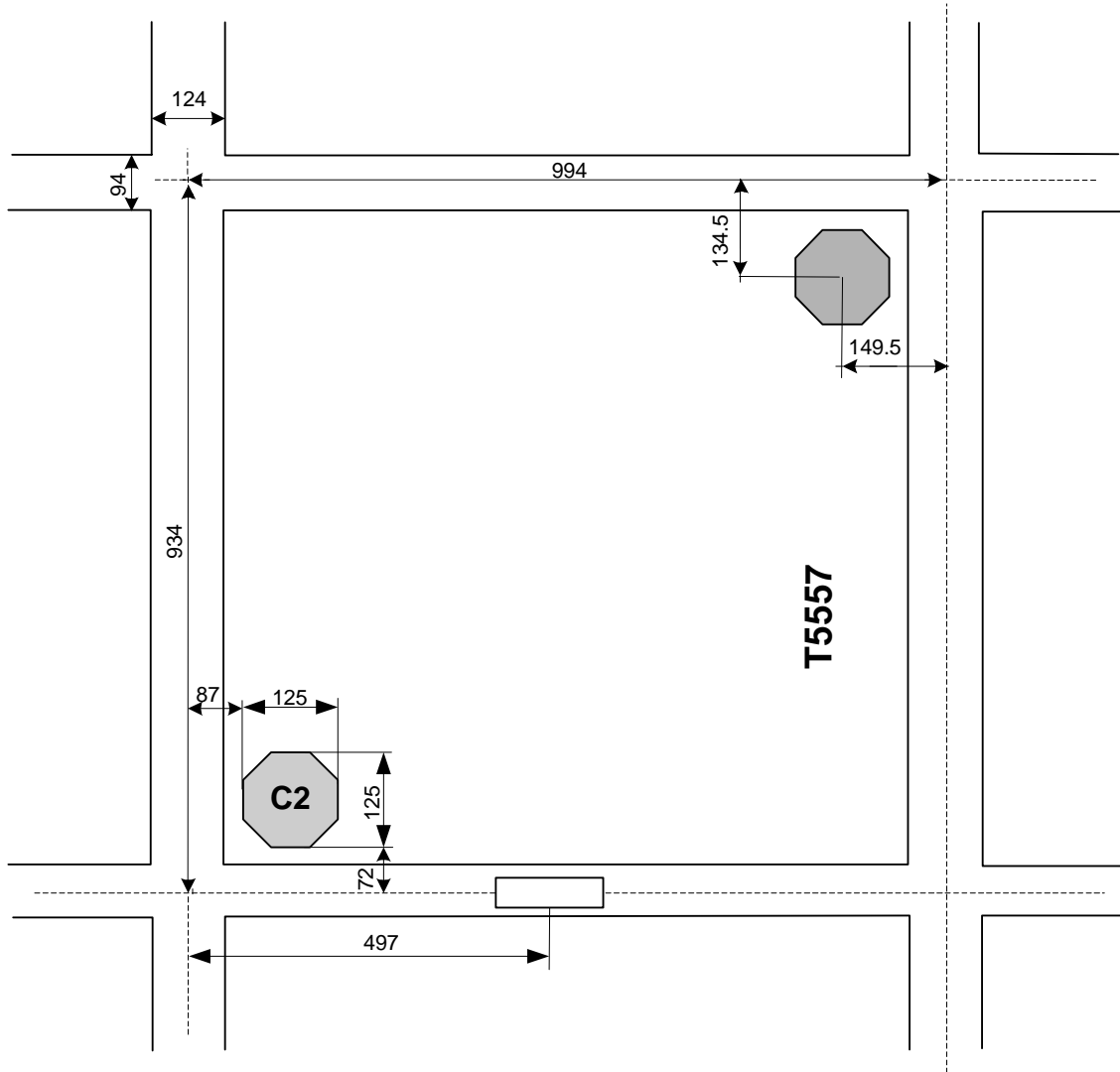


Figure 27. 4 Pad Flip-chip Version with 70 μm Solder Bumps

Dimensions in μm

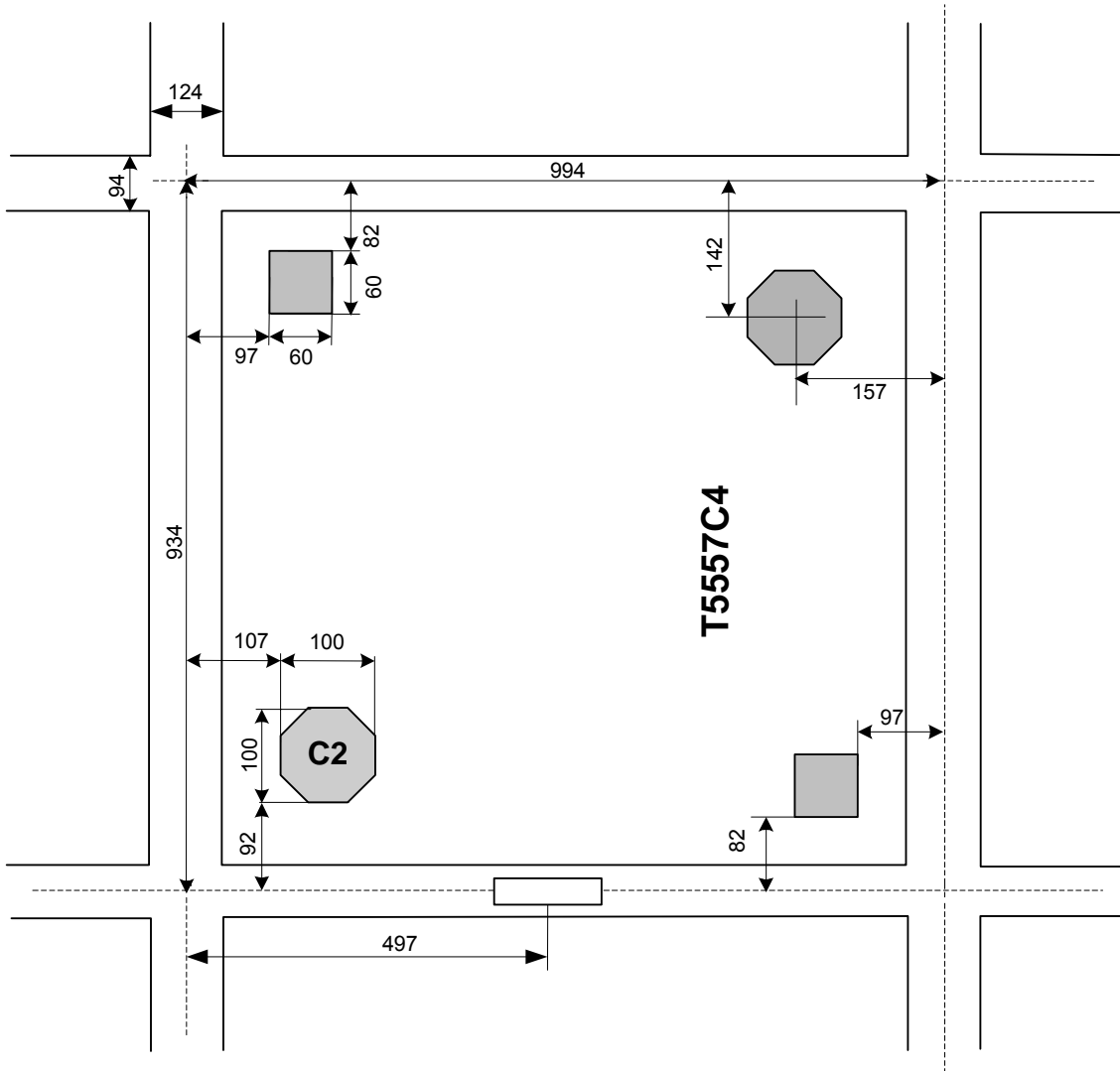


Figure 28. Solder bump on NiAu

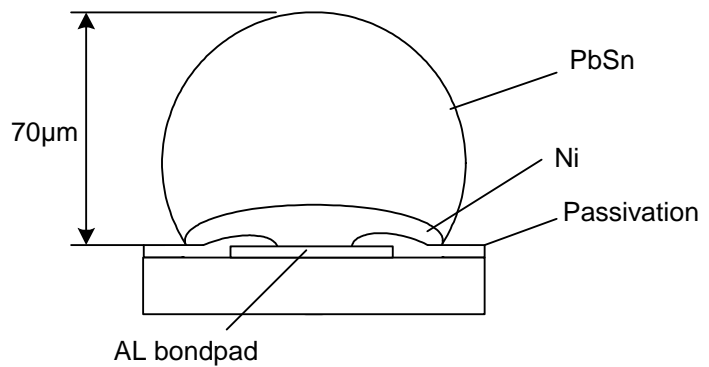


Figure 29. MOA2 Micromodule

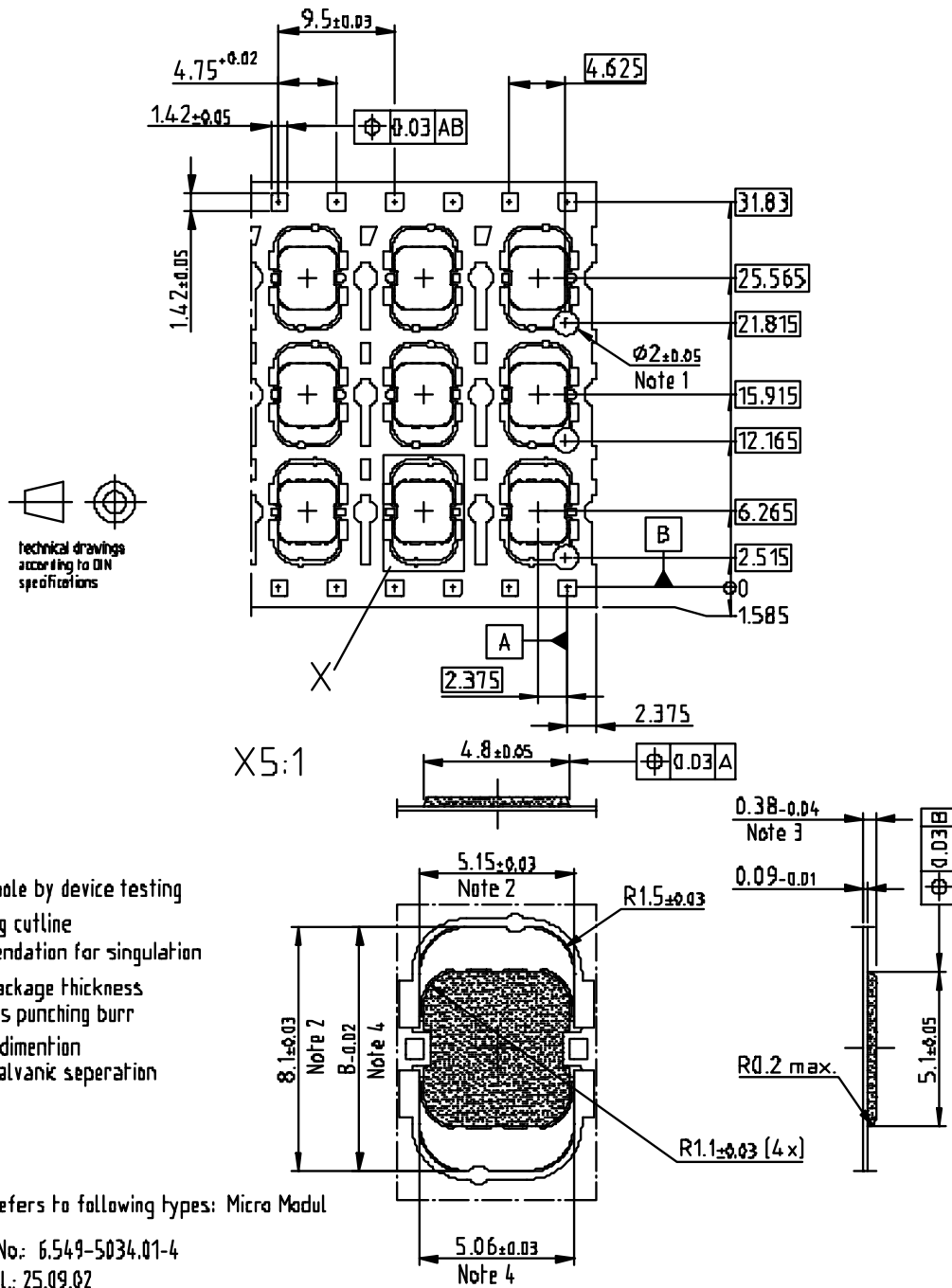
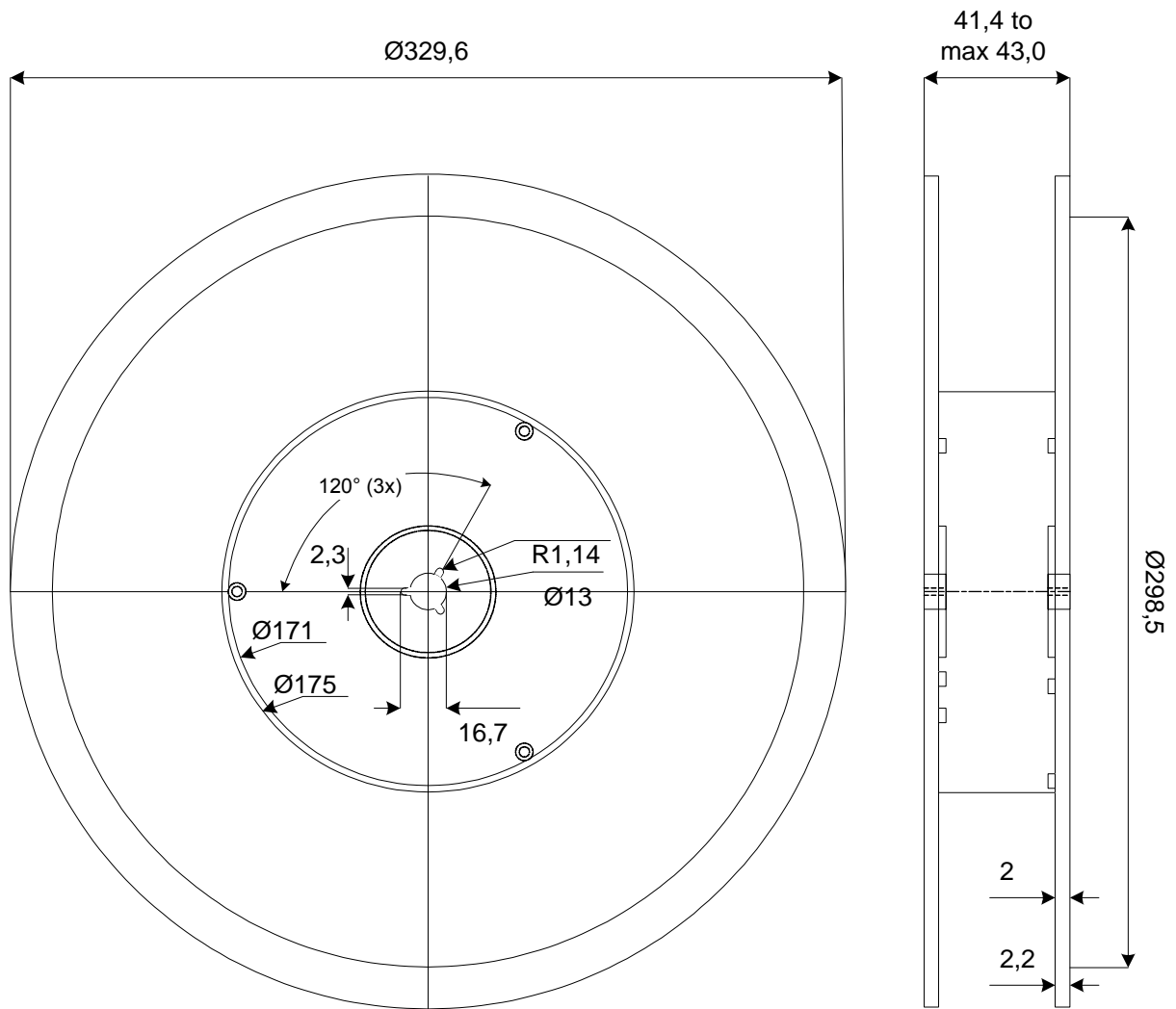
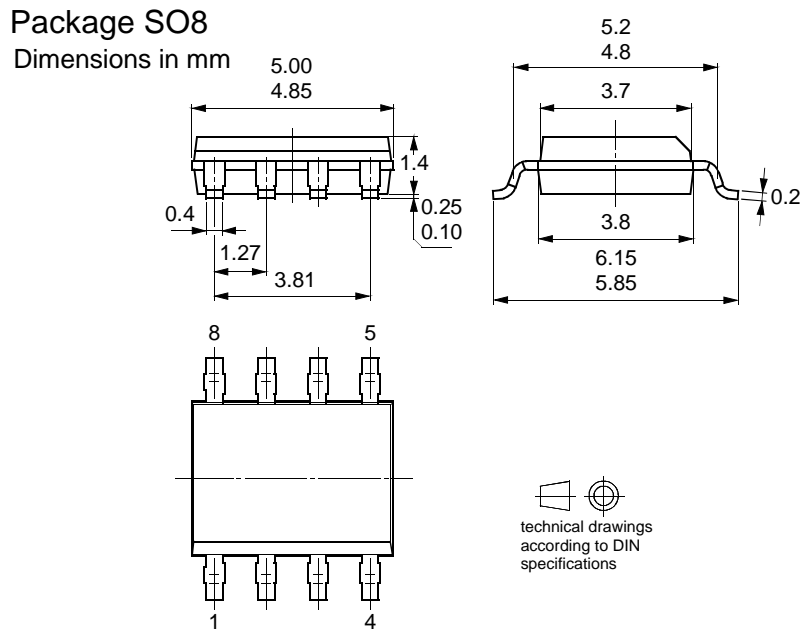


Figure 30. Shipping Reel



**Figure 31. SO8 Package**



**Figure 32. Pinning SO8**

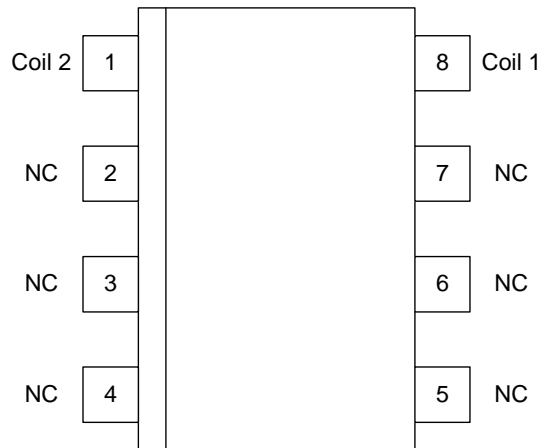
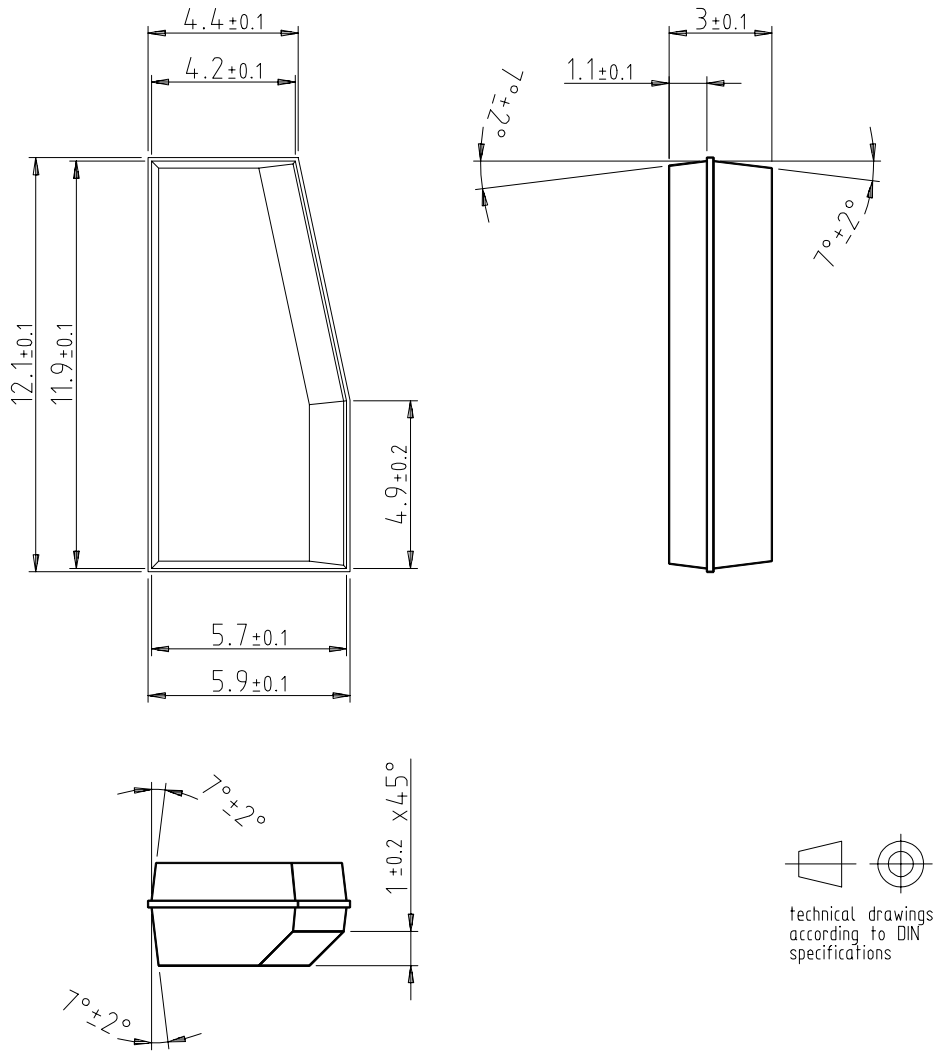


Figure 33. Plastic Transponder

Dimensions in mm



## Operating Characteristics Plastic Transponder

$T_{amb} = 25^{\circ}\text{C}$ ,  $f_{res} = 125\text{ kHz}$  unless otherwise specified; For all other parameters please refer to IC characteristics

No.	Parameters	Test Conditions	Symbol	Min.	Typ.	Max.	Unit	Typ
	Inductance		L		4.0		mH	
	<b>Capacitor</b>		C	386.1	390	393.9	pF	
	Resonance frequency	$H_{pp} = 20\text{ A/m}$	$f_{res}$	120	125	130	kHz	
	Quality factor		$Q_{LC}$		13			Q
	Assembly temperature $t < 5\text{ min}$	$T_{ass}$			175			$^{\circ}\text{C}$
<b>Magnetic Field Strength (H)</b>								
	Max. field strength where transponder does not modulate	No influence to other transponders in the field	$H_{pp\ not}$		4		A/m	T
	Field strength for operation	$T_{amb} = -40^{\circ}\text{C}$	$H_{pp\ -40}$		30		A/m	Q
		$T_{amb} = 25^{\circ}\text{C}$	$H_{pp\ 25}$		18		A/m	T
		$T_{amb} = 85^{\circ}\text{C}$	$H_{pp\ 85}$		17		A/m	Q
	Programming mode	$T_{amb} = 25^{\circ}\text{C}$	$H_{pp}$		50		A/m	T
	Maximum field strength		$H_{pp\ max}$			600	A/m	Q
<b>Modulation Range (see also H-DV curve)</b>								
	Modulation range	$H_{pp} = 20\text{ A/m}$ $H_{pp} = 30\text{ A/m}$ $H_{pp} = 50\text{ A/m}$ $H_{pp} = 100\text{ A/m}$	DV		4.0 6.0 8.0 8.0		V	



## Atmel Headquarters

### *Corporate Headquarters*

2325 Orchard Parkway  
San Jose, CA 95131  
TEL 1(408) 441-0311  
FAX 1(408) 487-2600

### *Europe*

Atmel Sarl  
Route des Arsenaux 41  
Case Postale 80  
CH-1705 Fribourg  
Switzerland  
TEL (41) 26-426-5555  
FAX (41) 26-426-5500

### *Asia*

Room 1219  
Chinachem Golden Plaza  
77 Mody Road Tsimhatsui  
East Kowloon  
Hong Kong  
TEL (852) 2721-9778  
FAX (852) 2722-1369

### *Japan*

9F, Tonetsu Shinkawa Bldg.  
1-24-8 Shinkawa  
Chuo-ku, Tokyo 104-0033  
Japan  
TEL (81) 3-3523-3551  
FAX (81) 3-3523-7581

## Atmel Operations

### *Memory*

2325 Orchard Parkway  
San Jose, CA 95131  
TEL 1(408) 441-0311  
FAX 1(408) 436-4314

### *Microcontrollers*

2325 Orchard Parkway  
San Jose, CA 95131  
TEL 1(408) 441-0311  
FAX 1(408) 436-4314

La Chantrerie  
BP 70602  
44306 Nantes Cedex 3, France  
TEL (33) 2-40-18-18-18  
FAX (33) 2-40-18-19-60

### *ASIC/ASSP/Smart Cards*

Zone Industrielle  
13106 Rousset Cedex, France  
TEL (33) 4-42-53-60-00  
FAX (33) 4-42-53-60-01

1150 East Cheyenne Mtn. Blvd.  
Colorado Springs, CO 80906  
TEL 1(719) 576-3300  
FAX 1(719) 540-1759

Scottish Enterprise Technology Park  
Maxwell Building  
East Kilbride G75 0QR, Scotland  
TEL (44) 1355-803-000  
FAX (44) 1355-242-743

### *RF/Automotive*

Theresienstrasse 2  
Postfach 3535  
74025 Heilbronn, Germany  
TEL (49) 71-31-67-0  
FAX (49) 71-31-67-2340

1150 East Cheyenne Mtn. Blvd.  
Colorado Springs, CO 80906  
TEL 1(719) 576-3300  
FAX 1(719) 540-1759

### *Biometrics/Imaging/Hi-Rel MPU/ High Speed Converters/RF Datacom*

Avenue de Rochepleine  
BP 123  
38521 Saint-Egreve Cedex, France  
TEL (33) 4-76-58-30-00  
FAX (33) 4-76-58-34-80

---

### *e-mail*

literature@atmel.com

### *Web Site*

<http://www.atmel.com>

### © Atmel Corporation 2002.

Atmel Corporation makes no warranty for the use of its products, other than those expressly contained in the Company's standard warranty which is detailed in Atmel's Terms and Conditions located on the Company's web site. The Company assumes no responsibility for any errors which may appear in this document, reserves the right to change devices or specifications detailed herein at any time without notice, and does not make any commitment to update the information contained herein. No licenses to patents or other intellectual property of Atmel are granted by the Company in connection with the sale of Atmel products, expressly or by implication. Atmel's products are not authorized for use as critical components in life support devices or systems.

Atmel® is the registered trademark of Atmel.

Other terms and product names may be the trademarks of others.



Printed on recycled paper.