



SPECIFICATION

MODEL **WBT500**

DATE **2007/8/8**

**MAGNEATIC CARD
SWIPE CARD READER**

Rev. **A**

P A G E **1/7**

WBT500 SERIES

SWIPE CARD READER





SPECIFICATION

MODEL WBT500

DATE 2007/8/8

**MAGNEATIC CARD
SWIPE CARD READER**

Rev. A

PAGE 2/7

CONTENTS

1. FEATURE-----3

2.SIZE AND PANEL INTRODUCE-----3

3. INTERFACE-----5

4. WIRING-----5

5. CARD SETTING-----6

6. NOTE-----7

7. PROBLEM ANALYSE-----7



SPECIFICATION
MAGNEATIC CARD SWIPE CARD READER

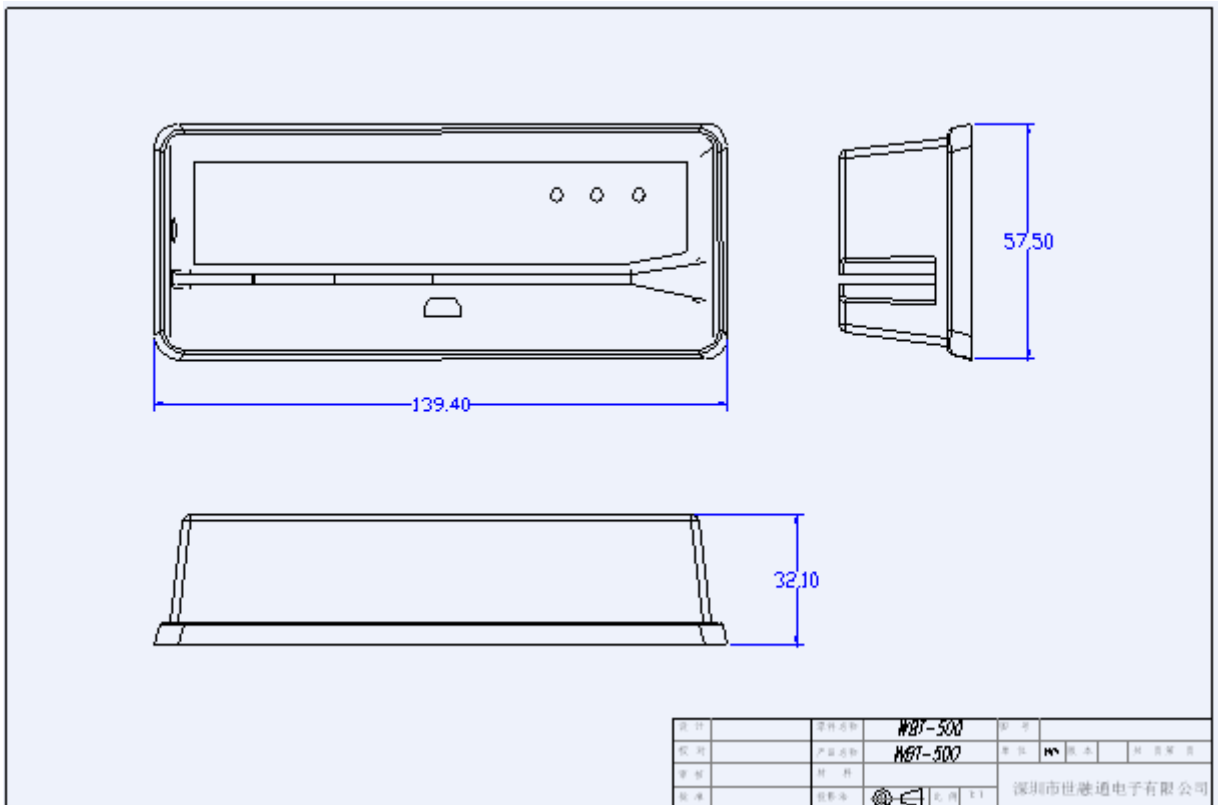
MODEL	WBT500
DATE	2007/8/8
Rev.	A
PAGE	3/7

1. FEATURES

- u Uniform design, install convenient, no limit in card capacity.
- u Can compatible with all banking cards.
- u Solid aluminum alloy shell, special screw to fix up the covers, need special tool to open it.
- u Import high sensitive alloy magnetic head, wearable, applicable to Lo-co and Hi-co cards.
- u Can set 1~9 second to open the door in access control system.
- u Include the coupling button input interface ,more convenient to install the outside switch.
- u The reader has prevent prize alarming interface can connect with the annunciator.
- u A set of NC/ON(normal open/normal close),can endure 24V/1A current.
- u Three indicators: power(red), OK(Green), status(yellow).
- u Size 140mm(L)*57mm(W)*32mm(H).
- u Power consume: current when stand by(less than 30mA),working current(less than 40mA)Voltage DC12V.
- u Wiegand interface

2. SIZE AND PANEL INTRODUCE

2.1 Size



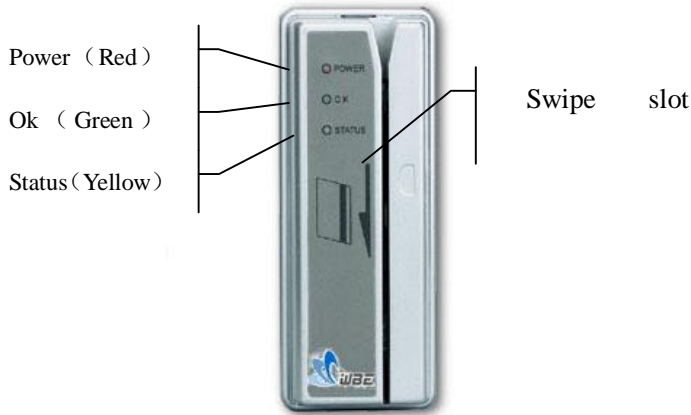


SPECIFICATION

MAGNEATIC CARD SWIPE CARD READER

MODEL	WBT500
DATE	2007/8/8
Rev.	A
PAGE	4/7

2.2 PANEL INTRODUCE



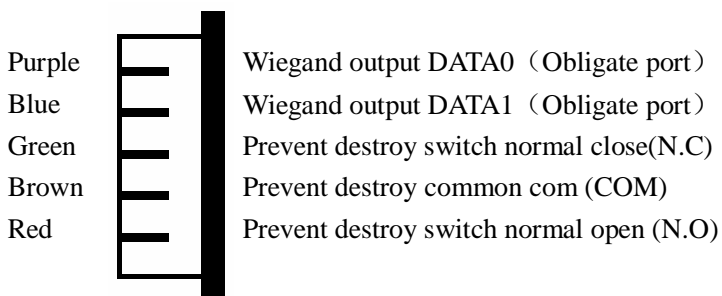
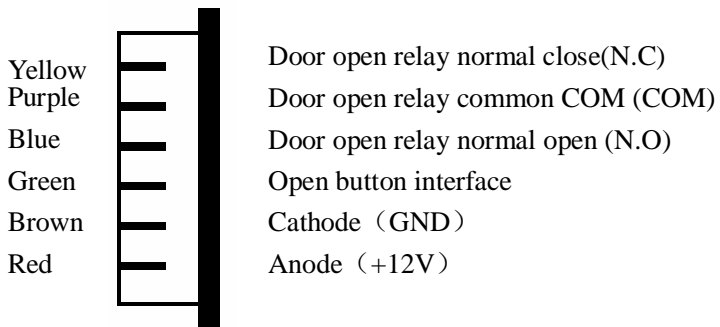
Indicators

POWER (Red): Power indicator.

OK (Green): Open door indicator.

STATUS (Yellow): enter the setting state (light) or error (flash) .

3. IINTERFACE



NOTE: Open relay output interface can endure 2A/30V (DC/AC) (max).

Prevent destroy switch can endure 0.2A/30V (DC/AC) (max).

4. WIRING

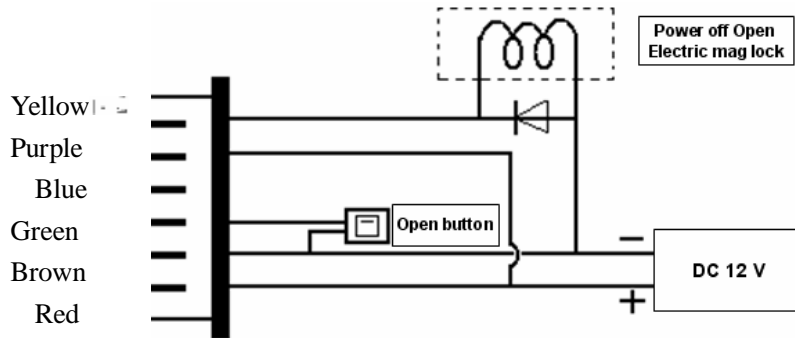
4.1 On when power off switch electromagnetic lock (anode) connect



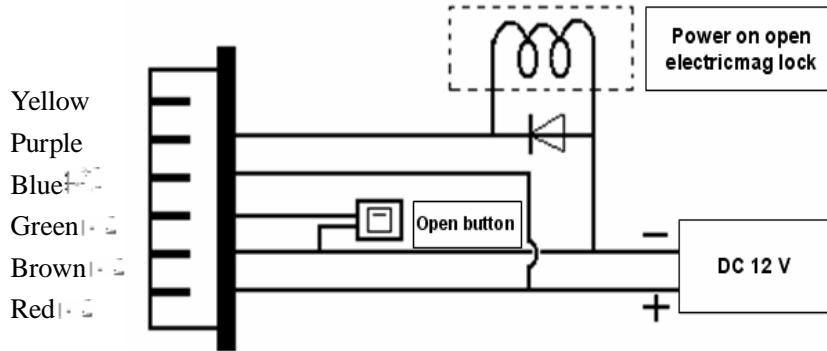
SPECIFICATION

MAGNEATIC CARD SWIPE CARD READER

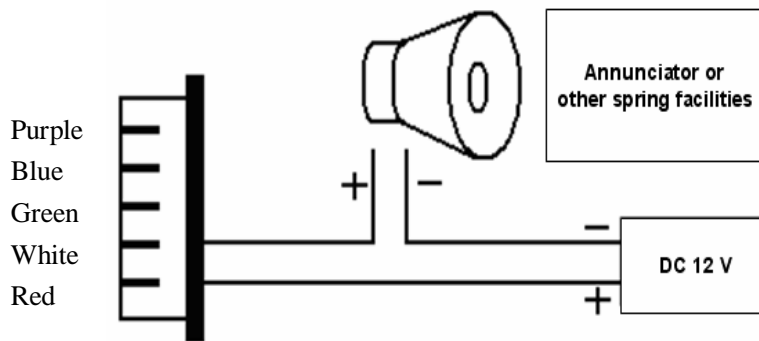
MODEL	WBT500
DATE	2007/8/8
Rev.	A
PAGE	5/7



4.2 On when power on electromagnetic lock (cathode) connect



4.3 Connect the prevent destroy output with alarming device.



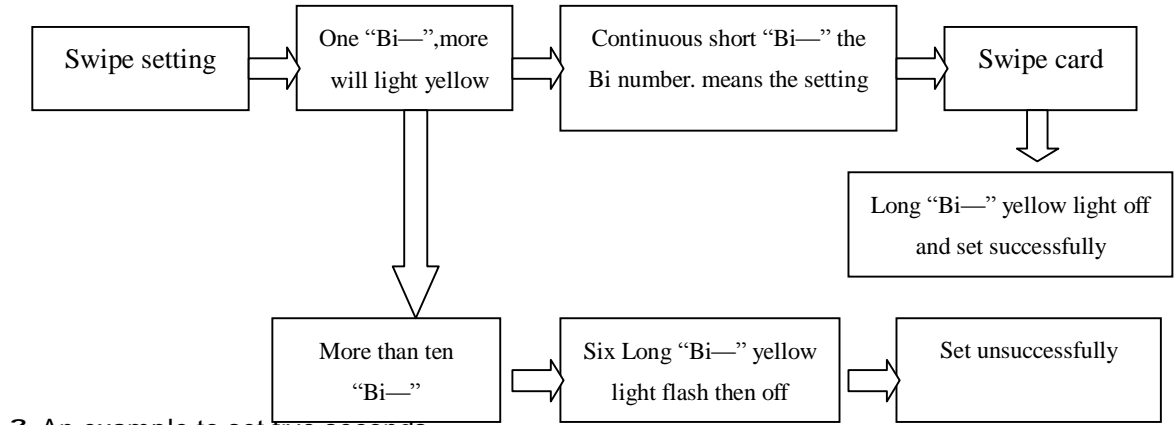


SPECIFICATION
MAGNEATIC CARD SWIPE CARD READER

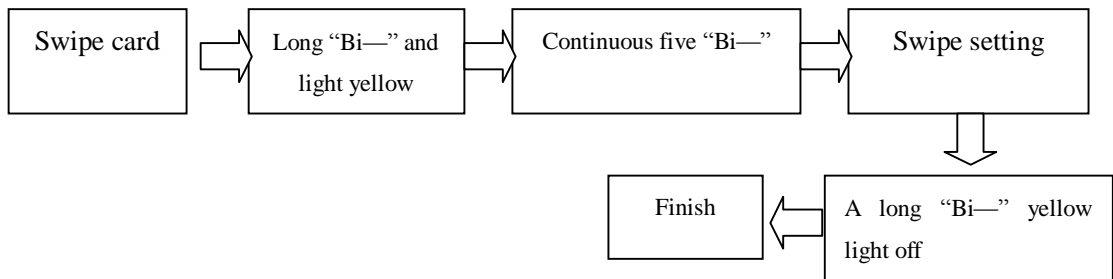
MODEL	WBT500
DATE	2007/8/8
Rev.	A
PAGE	6/7

5. CARD SETTING

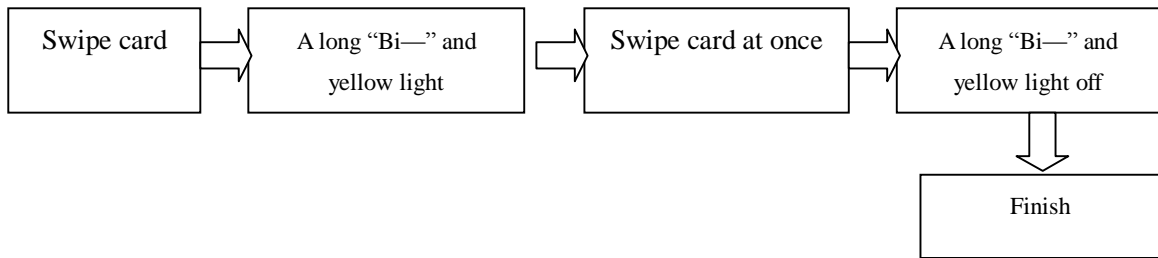
5.1 Adjust the open time from 1 to 9 second.(default is 3 second)



² An example to set five seconds.

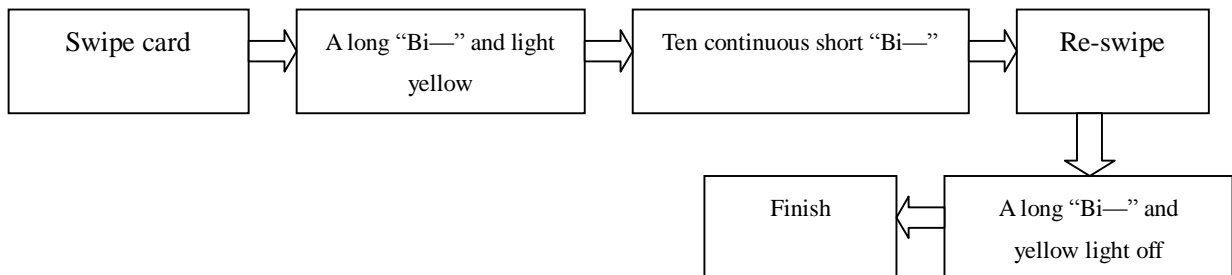


5.2 Set as open after swipe successfully (default is open as long as swipe)



The two mode is recurrent setting, If you want to set open as long as swipe again repeat above operation is ok.

5.3 Comeback default setting(Open door in 3 second, open as long as swipe)





SPECIFICATION

MODEL WBT500

DATE 2007/8/8

MAGNEATIC CARD SWIPE CARD READER

Rev. A

PAGE 7/7

6. NOTE:

∅ Please check your power, voltage, and polarity to prevent connect incorrect and broken your machine.

∅ Please don't swipe the slot except the cards.

∅ Cards should avoid to close high temperature and magnetic field.

∅ Clean the magnetic head periodic.

∅ Laypeople please don't disassembly and change its electric characteristics.

7. Problem analysis:

ü The lock doesn't work after swipe card

7.1 Please check the power and the panel indicator (red) is light or not.

7.2 Please check the OK indicator is light or not after your swipe, If yes ,please check the electromagnetic lock power and connection.

7.3 If there still no information or error after your swipe the possible reason will be your cards has been demagnetized